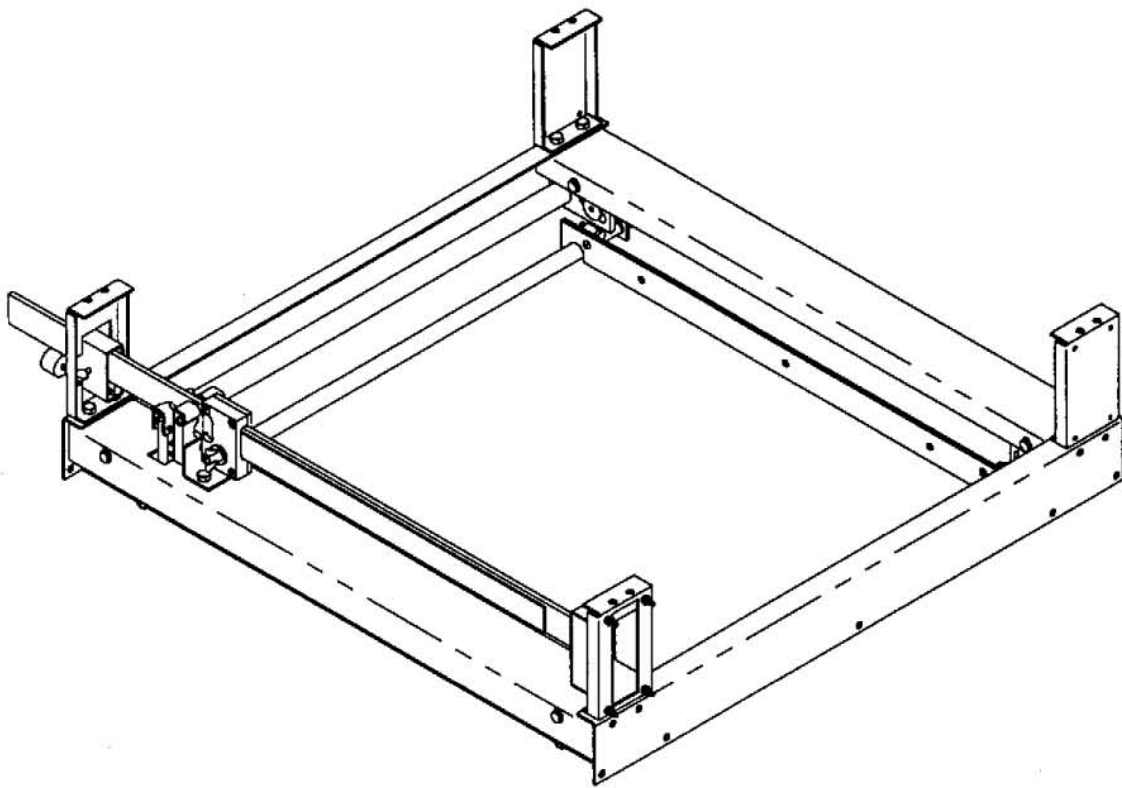


# SPINKS SCALES

## PARTS MANUAL

For

# ROOSTER SCALES

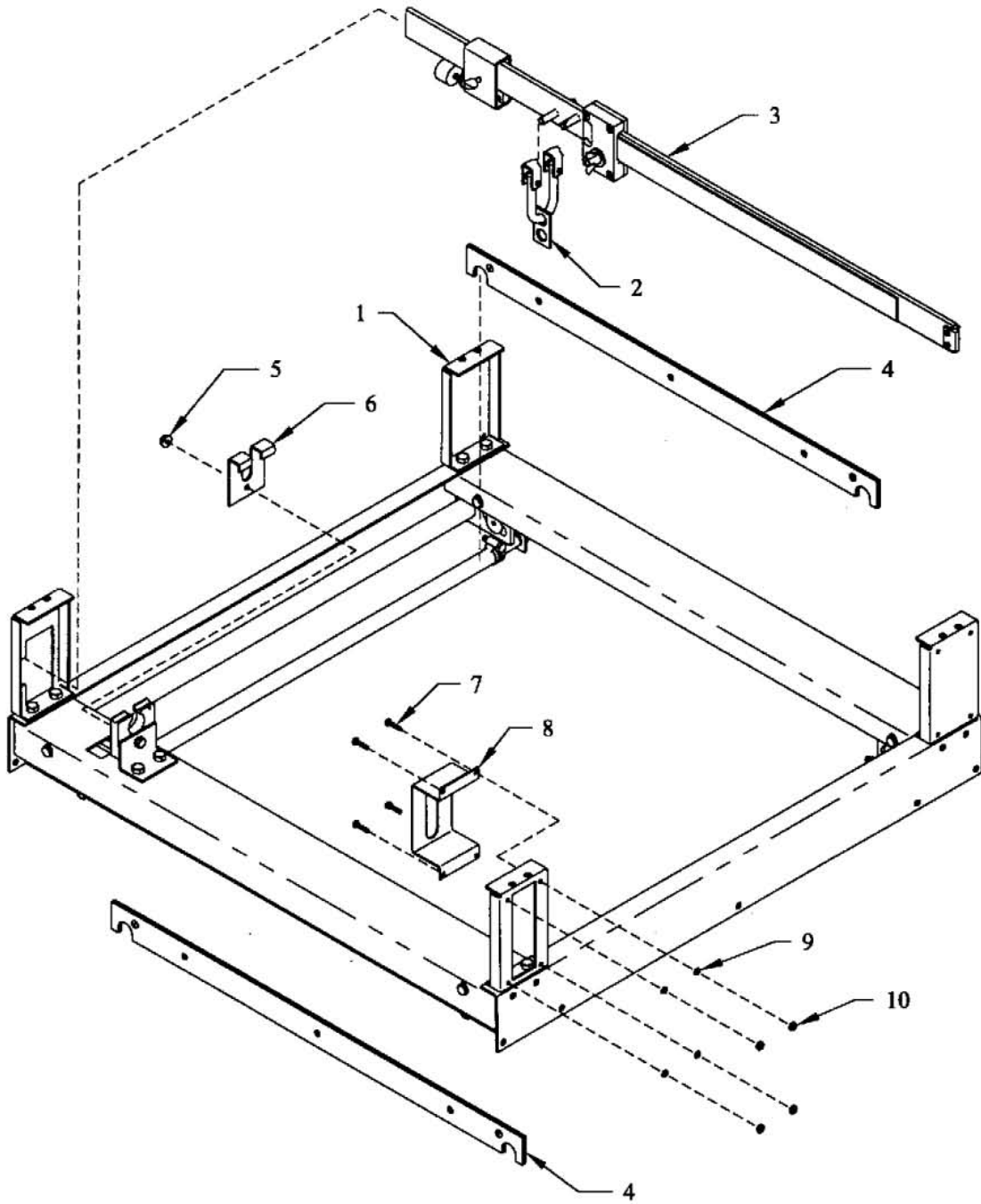


### TABLE OF CONTENTS

FINAL ASSEMBLY .....	Pages 2-3
BASE ASSEMBLY .....	Pages 4-5
RAILS .....	Pages 6-7
LEVERS .....	Pages 8-9
BEAM .....	Page 10
POISE .....	Page 11
BACK BALANCE .....	Page 12
U-HANGER .....	Page 13
250# HOPPERS & ADAPTERS .....	Pages 14-17
350# HOPPERS & ADAPTERS .....	Pages 18-21

JANUARY, 1999

# FINAL ASSEMBLY



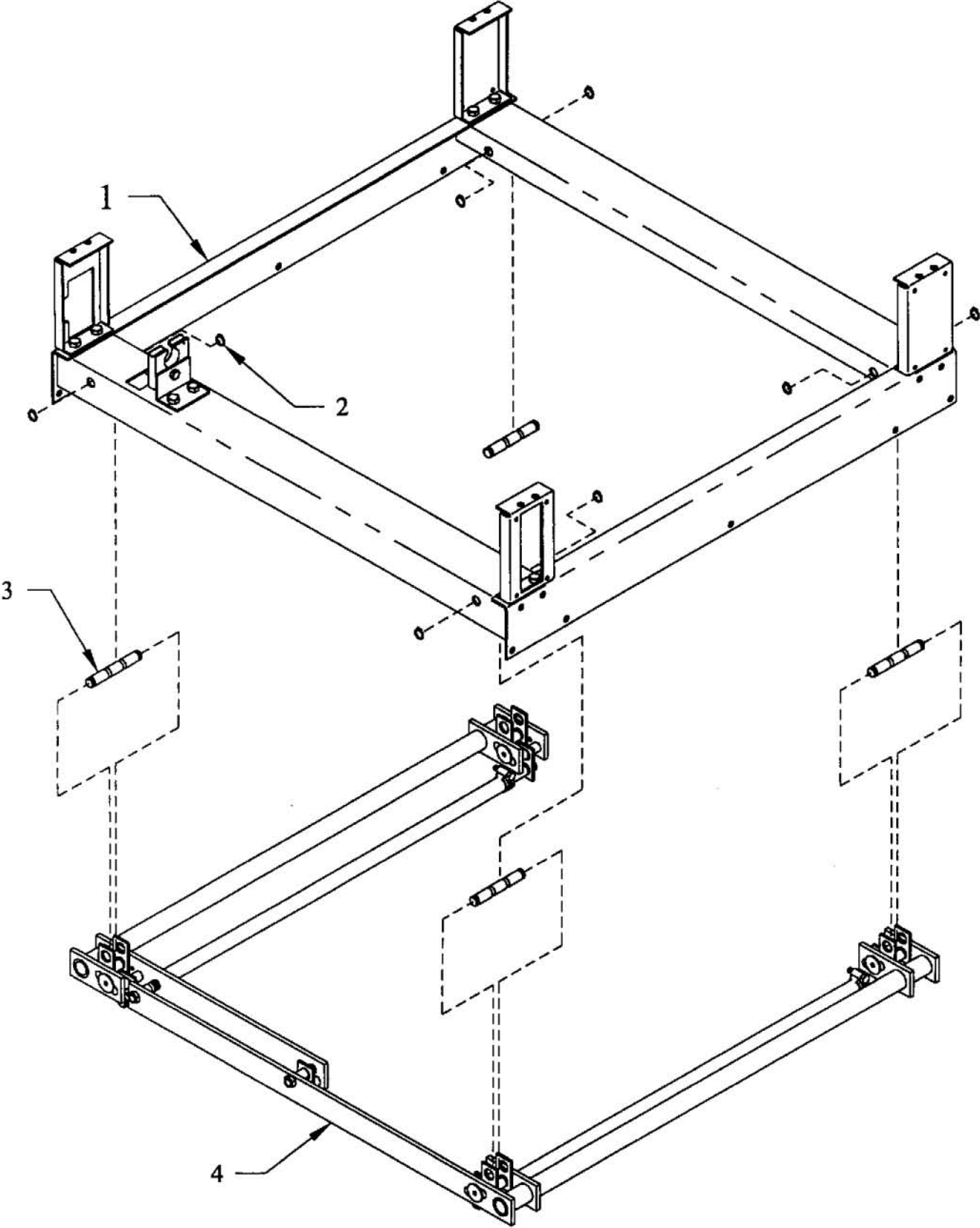
ROOSTER SCALES

## FINAL ASSEMBLY

ITEM	PART NO.	QTY	DESCRIPTION
1	--	1	BASE ASSEMBLY
2	003108	1	U-HANGER
3	--	1	BEAM
4	003110	2	BAR, Hopper Support
5	--	1	NUT, 1/4-20 Hex Flange
6	005122	1	CAP, Bearing Pivot
7	--	4	BOLT, #8-32 X 3/4" Round Head
8	003117	1	TRIG LOOP
9	--	4	WASHER, #10
10	--	4	NUT, #8-32 Hex

**ROOSTER SCALES**

**BASE ASSEMBLY**



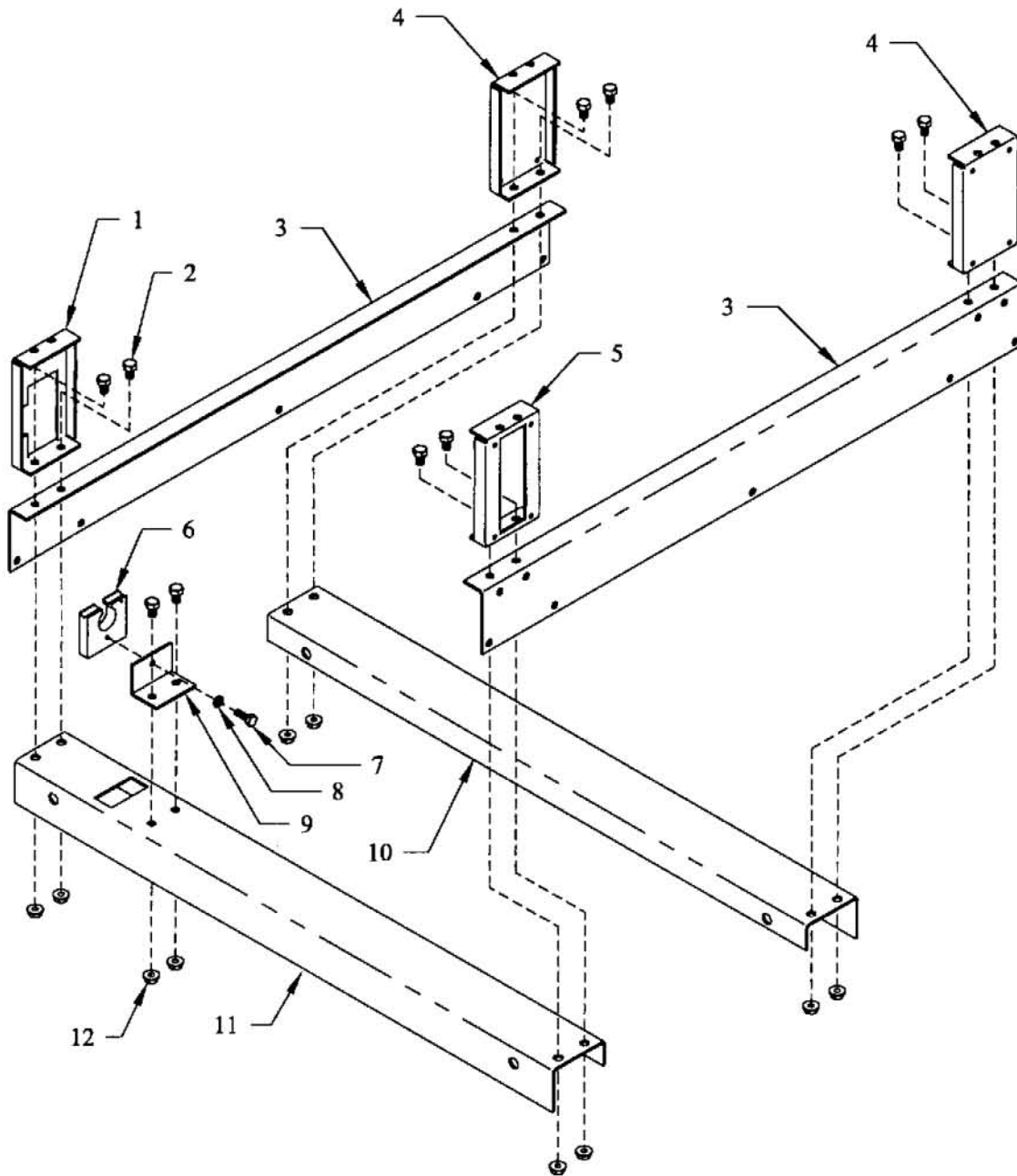
**ROOSTER SCALES**

## BASE ASSEMBLY

ITEM	PART NO.	QTY	DESCRIPTION
1	--	1	RAILS
2	--	8	RING, 1/2" External Retaining
3	003113	4	PIN, Groove
4	--	1	LEVERS

**ROOSTER SCALES**

# RAILS



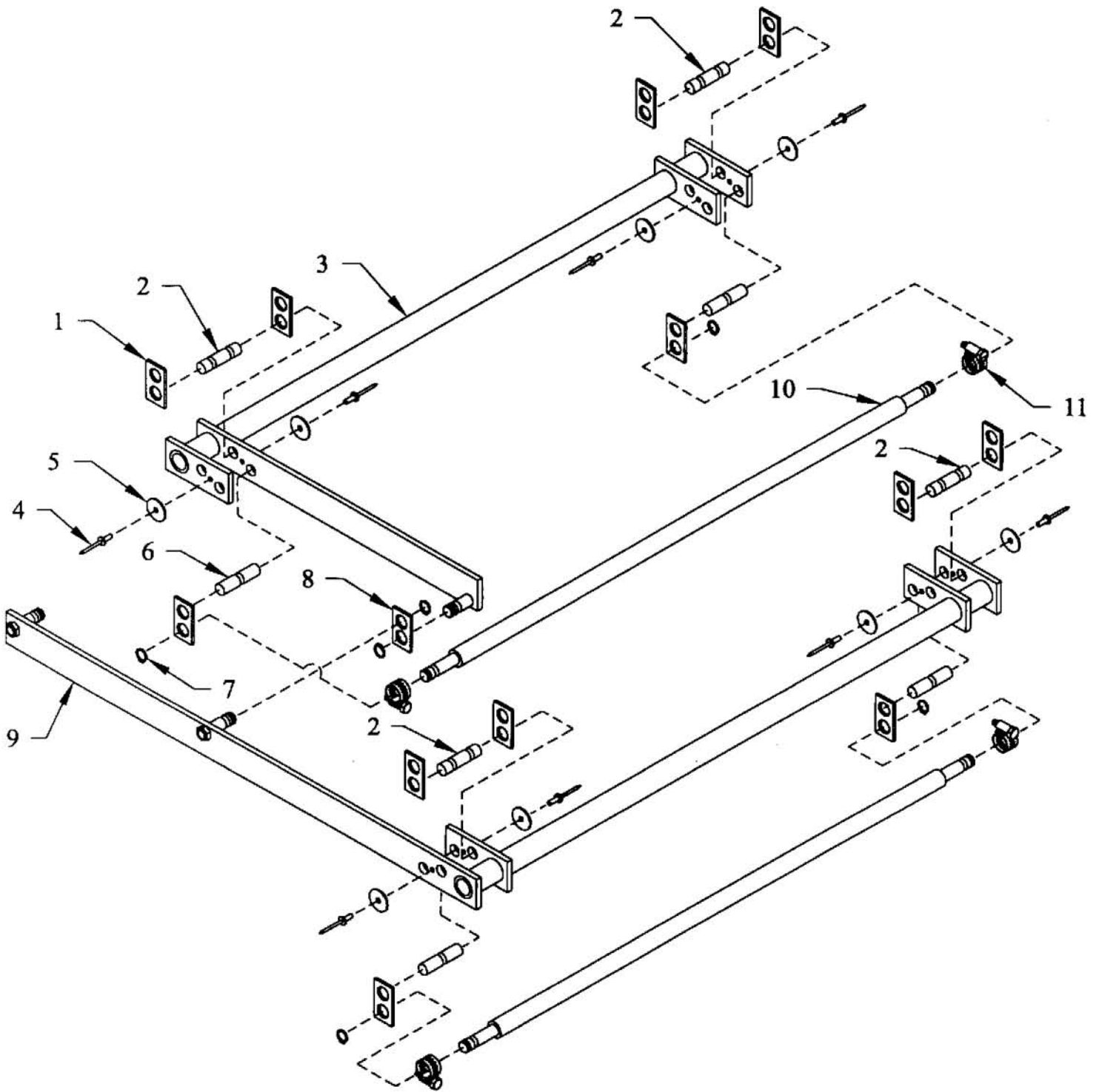
# ROOSTER SCALES

## RAILS

ITEM	PART NO.	QTY	DESCRIPTION
1	003135	1	HANGER, Front (Back Balance)
2	--	10	SCREW, 5/16-18 X 3/4" Hex Head Cap
3	003103	2	CHANNEL, Left/Right Side
4	003104	2	HANGER, Rear
5	003105	1	HANGER, CT-Mount
6	005116	1	BEARING, Beam
7	--	1	BOLT, 1/4-20 X 1" Hex (Fully Threaded)
8	--	1	WASHER, 1/4" Lock
9	003132	1	MOUNT, Beam Bearing
10	003102	1	CHANNEL, Rear
11	003101	1	CHANNEL, Front
12	--	10	NUT, 5/16-18 Flange Lock

**ROOSTER SCALES**

# LEVERS



# ROOSTER SCALES

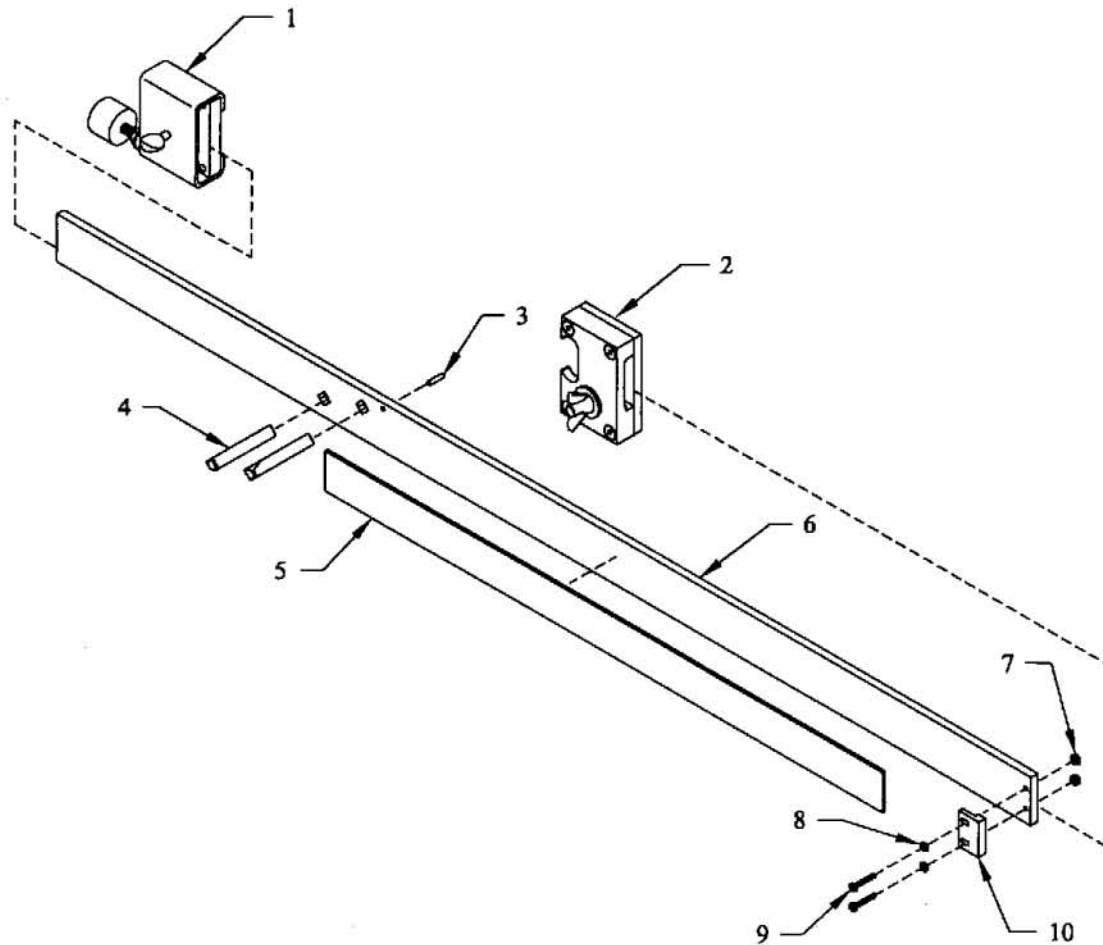


## LEVERS

ITEM	PART NO.	QTY	DESCRIPTION
1	003114	12	SHACKLE, 1-7/8" Frame
2	003111	4	PIN, Groove
3	003107	1	SHORT LEVER, Complete
4	--	8	RIVET
5	--	8	WASHER, 3/16" x 1" Fender
6	003112	4	PIN, Groove
7	--	6	RING, 1/2" External Retaining
8	003115	1	SHACKLE, 1-3/4" Center Lever
9	003106	1	LEVER SET, Complete
10	003109	2	ROD, Round Cross
11	--	4	CLAMP, 3/4" Hose

## ROOSTER SCALES

# BEAM

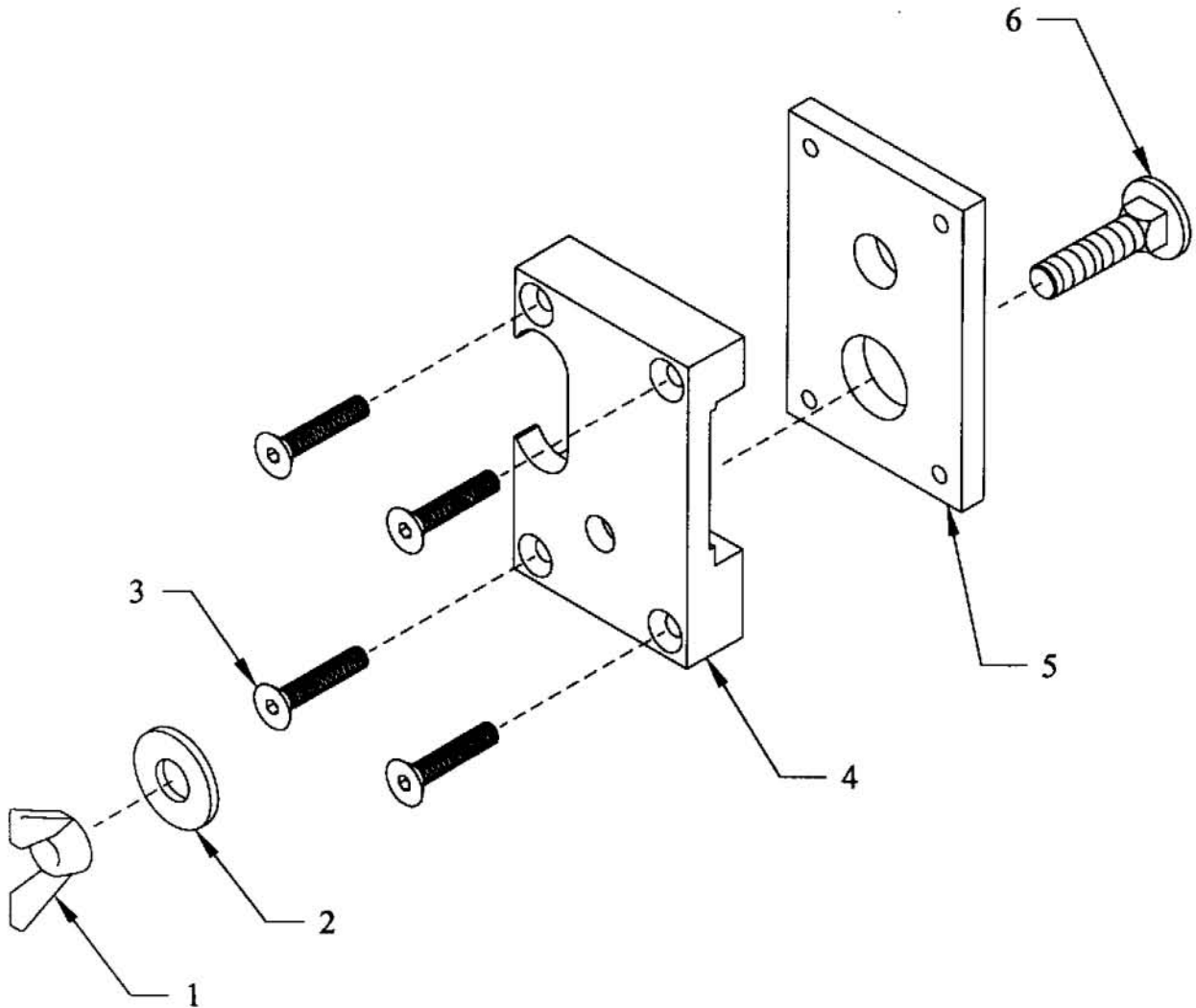


ITEM	PART NO.	QTY	DESCRIPTION
1	003118	1	BACK BALANCE
2	003131	1	POISE (See Note on Page 11)
3	--	1	PIN, 1/8" X 1/2" Spring P
4	200101	2	PIVOT, 5/16" X 2-1/8" Square
5	003133	1	CHART, 350#
6	203001	1	BEAM
7	--	2	NUT, #4-40 Hex
8	--	2	WASHER, #4 Flat (Brass)
9	--	2	BOLT, #4-40 X 5/8" Round Head
10	57135	1	MAGNET HAM, 5805

**ROOSTER SCALES**

## POISE

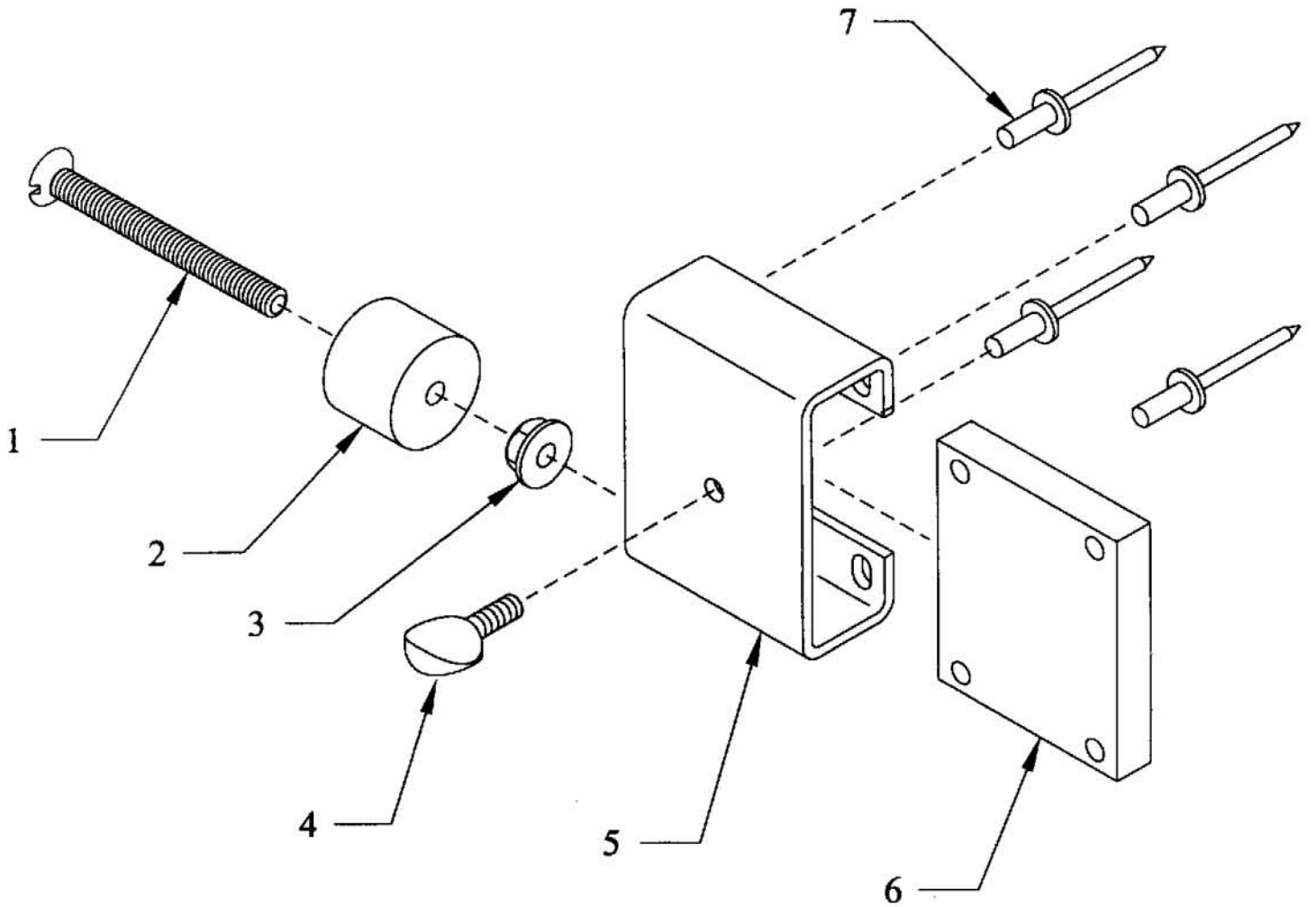
NOTE: FOR PART SALES PURPOSES, ROOSTER SCALE SERIAL NUMBER NEEDED  
FOR PROPER CALIBRATION OF POISE (NUMBER ENGRAVED IN BEAM)



ITEM	PART NO.	QTY	DESCRIPTION
1	--	1	NUT, 5/16" Wing
2	--	1	WASHER, 5/16" Flat
3	--	4	SCREW, #10-32 X 1" Flat Head Cap
4	203028	1	POISE, Front
5	203029	1	POISE, Back
6	--	1	BOLT, 5/16 x 1-1/4" Carriage

## ROOSTER SCALES

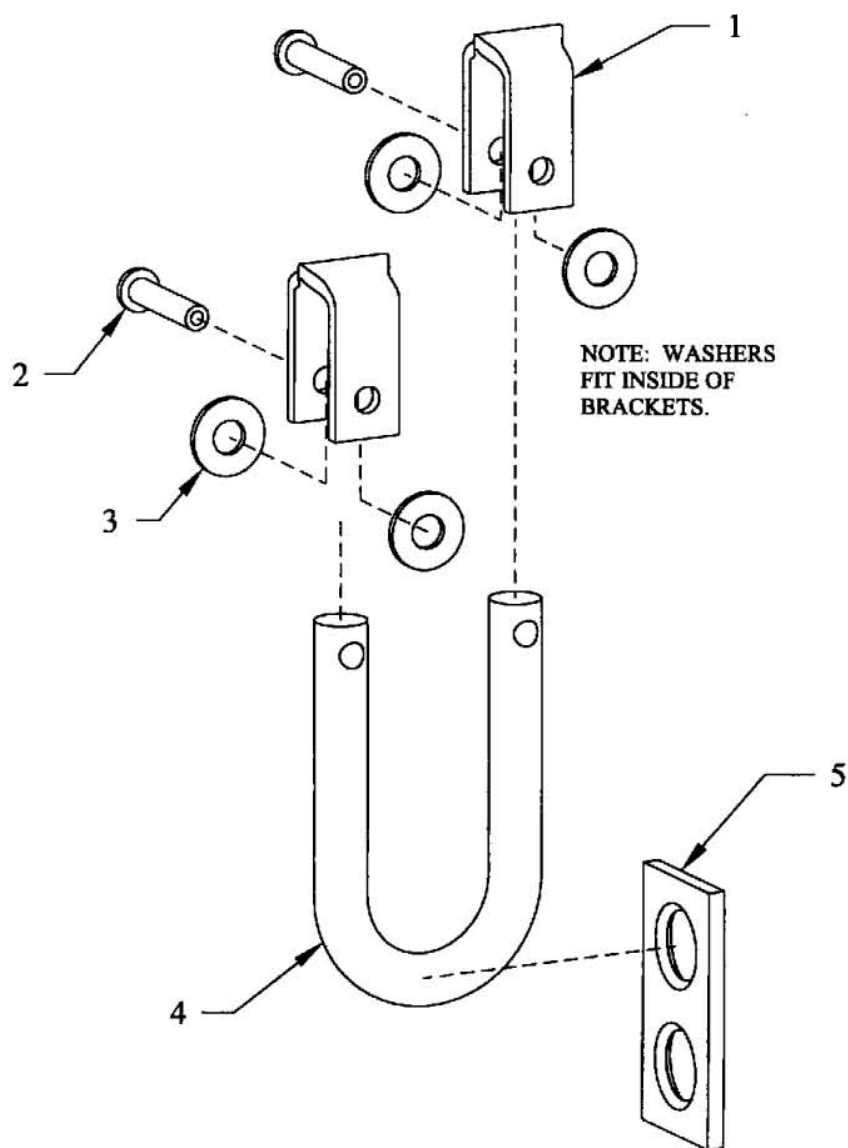
## BACK BALANCE



ITEM	PART NO.	QTY	DESCRIPTION
1	--	1	SCREW, 1/4-20 X 2-1/2" Flat Head
2	003119	1	WEIGHT, Fine Adjustments
3	--	1	NUT, 1/4-20 Hex Flange Lock
4	--	1	THUMBSCREW
5	203006	1	BACK BALANCE, Front
6	203007	1	BACK BALANCE, Back
7	--	4	RIVET

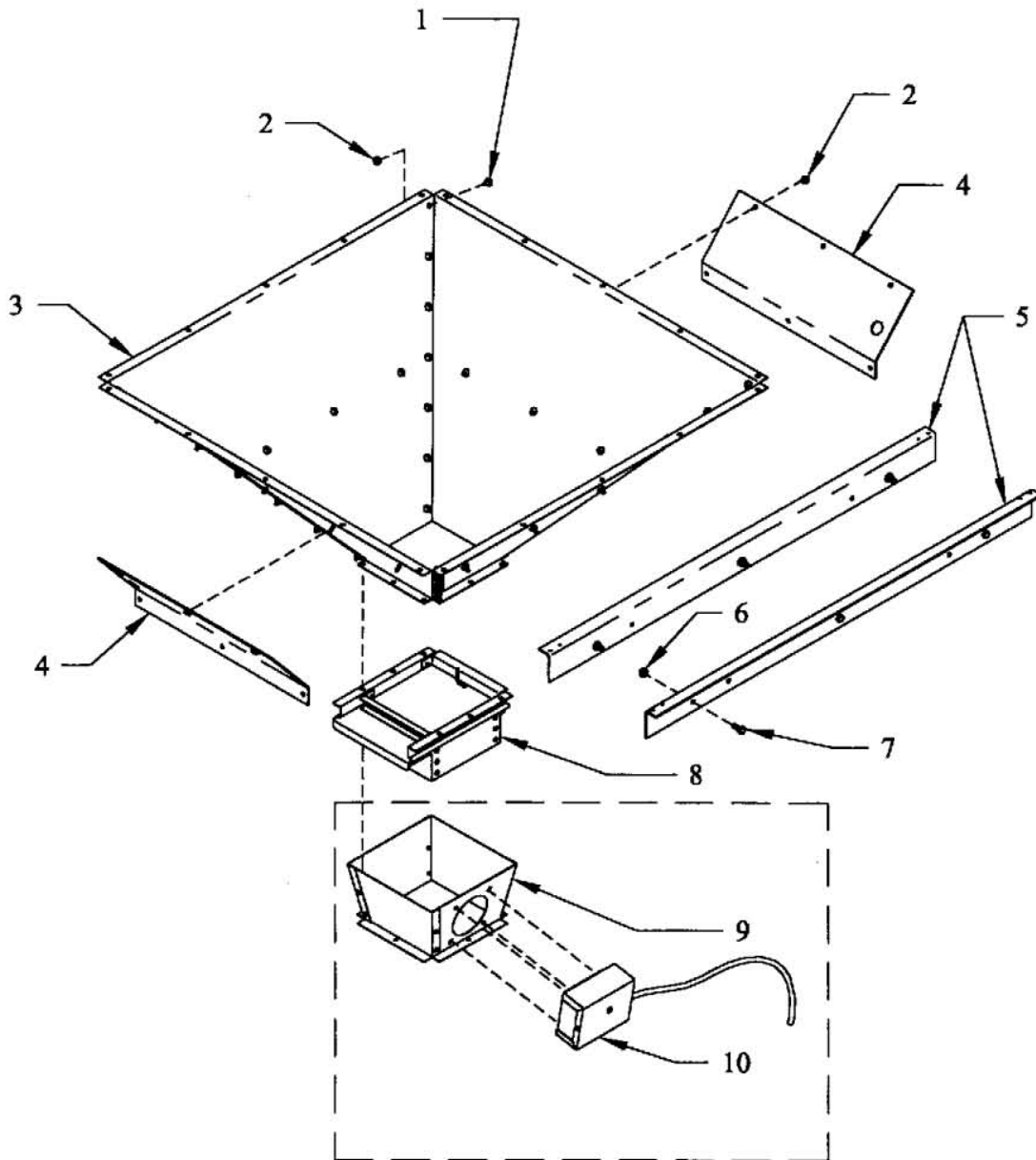
**ROOSTER SCALES**

## U-HANGER



ITEM	PART NO.	QTY	DESCRIPTION
1	200008	2	BEARING, Loop
2	--	2	RIVET, Tubular
3	--	4	WASHER, 3/16"
4	200007	1	U-LOOP, Machined
5	003114	1	SHACKLE, 1-7/8" Frame

# 250 # LOW PROFILE HOPPER & ADAPTERS



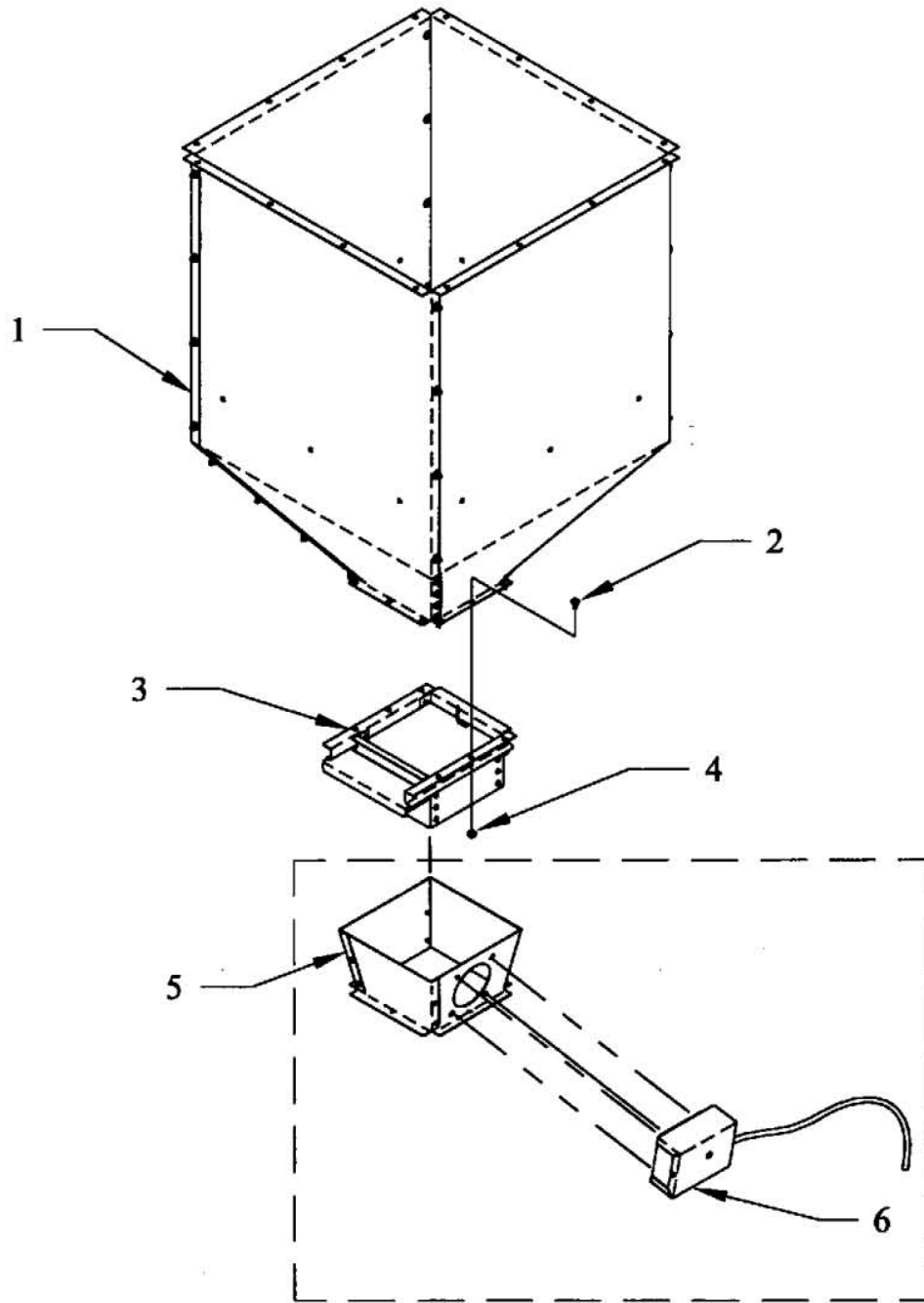
ROOSTER SCALES

## 250 # LOW PROFILE HOPPER & ADAPTERS

ITEM	PART NO.	QTY	DESCRIPTION
--	003362	1	250# HOPPER ASSY (Includes items 1-8)
1	--	40	SCREW, 1/4-20 X 1/2" Truss Head
2	--	40	NUT, 1/4-20 Hex Flange Lock
3	203520	4	HOPPER (Shown Assembled)
4	003595	2	SUPPORTS, Hopper
5	003590	2	CABLE MOUNT EXTENSIONS (attach to scale frame)
6	--	6	NUT, 5/16-18 Hex Flange Lock
7	--	6	SCREW, 5/16-18 X 3/4 Hex Cap
8	203014	1	GATE ASSEMBLY
9	203015	1	ADAPTER, Boot (for Cumberland, Choretime or Beacon) (sold separately from hopper assembly)
--	203021	1	ADAPTER, Boot (not shown - for Cyclone Single/Double) (sold separately from hopper assembly)
--	203011	1	ADAPTER, Boot (not shown - for Standard PAX w/2-1/2 hole) (sold separately from hopper assembly)
--	203011CT	1	ADAPTER, Boot (not shown - for PAX w/3-1/2 hole) (sold separately from hopper assembly)
--	203011NH	1	ADAPTER, Boot (not shown - for PAX w/o hole) (sold separately from hopper assembly)
--	203008	1	ADAPTER, Boot (not shown - for Dutchman) (sold separately from hopper assembly)
--	203009	1	ADAPTER, Boot (not shown - for Roxell) (sold separately from hopper assembly)
10	060148	1	SWITCH, Pressure (sold separately from hopper assembly)

ROOSTER SCALES

# 250 # STANDARD HOPPER & ADAPTERS



ROOSTER SCALES

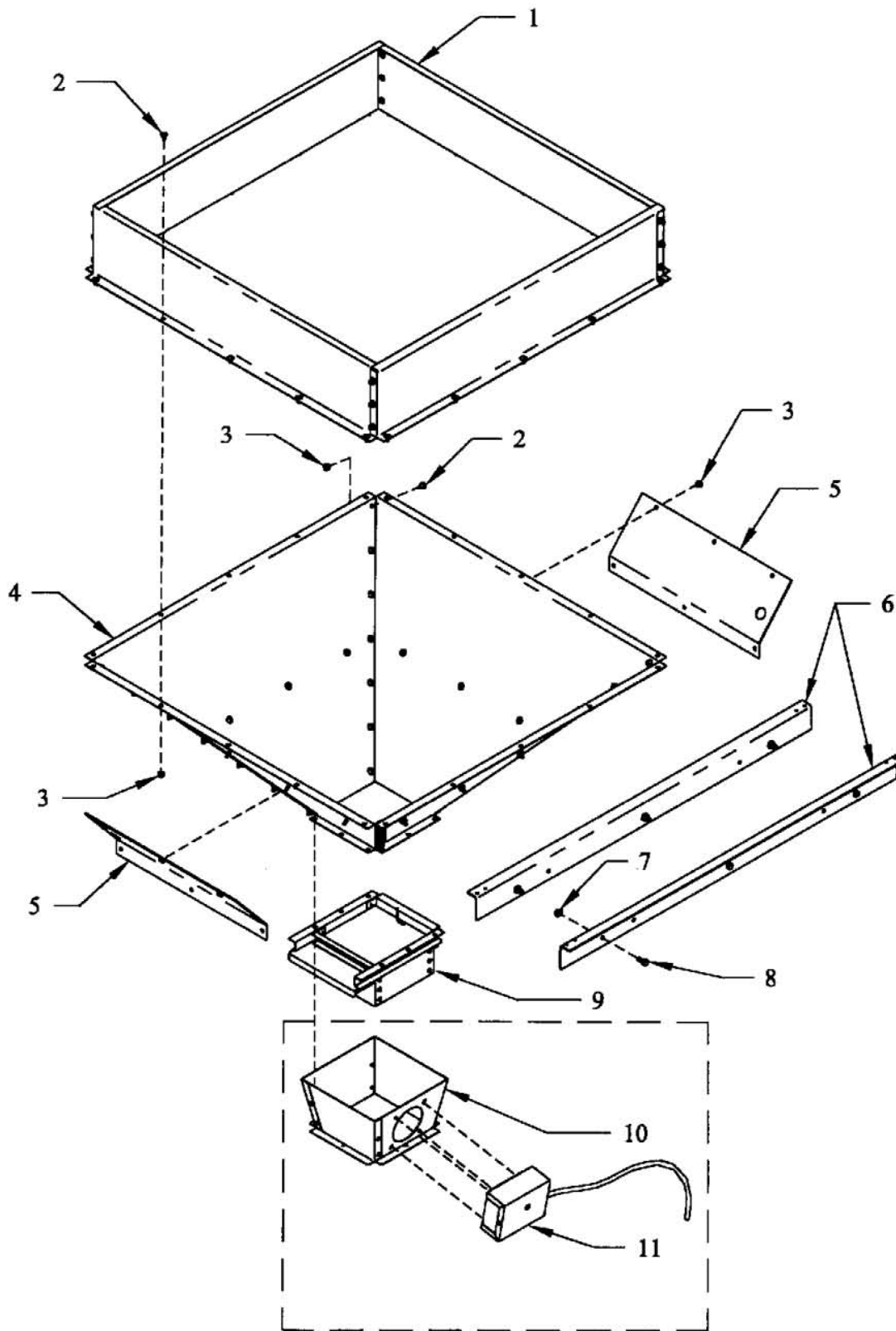


## 250 # STANDARD HOPPER & ADAPTERS

ITEM	PART NO.	QTY	DESCRIPTION
--	003352	1	250# HOPPER ASSY (Includes items 1-4)
1	203522	4	HOPPER (shown assembled)
2	--	46	SCREW, 1/4-20 X 1/2" Truss Head
3	203014	1	GATE ASSEMBLY
4	--	46	NUT, 1/4-20 Hex Flange Lock
5	203015	1	ADAPTER, Boot (for Cumberland, Choretime or Beacon) (sold separately from hopper assembly)
--	203021	1	ADAPTER, Boot (not shown - for Cyclone Single/Double) (sold separately from hopper assembly)
--	203011	1	ADAPTER, Boot (not shown - for Standard PAX w/2-1/2 hole) (sold separately from hopper assembly)
--	203011CT	1	ADAPTER, Boot (not shown - for PAX w/3-1/2 hole) (sold separately from hopper assembly)
--	203011NH	1	ADAPTER, Boot (not shown - for PAX w/o hole) (sold separately from hopper assembly)
--	203008	1	ADAPTER, Boot (not shown - for Dutchman) (sold separately from hopper assembly)
--	203009	1	ADAPTER, Boot (not shown - for Roxell) (sold separately from hopper assembly)
6	060148	1	SWITCH, Pressure (sold separately from hopper assembly)

**ROOSTER SCALES**

# 350 # LOW PROFILE HOPPER & ADAPTERS



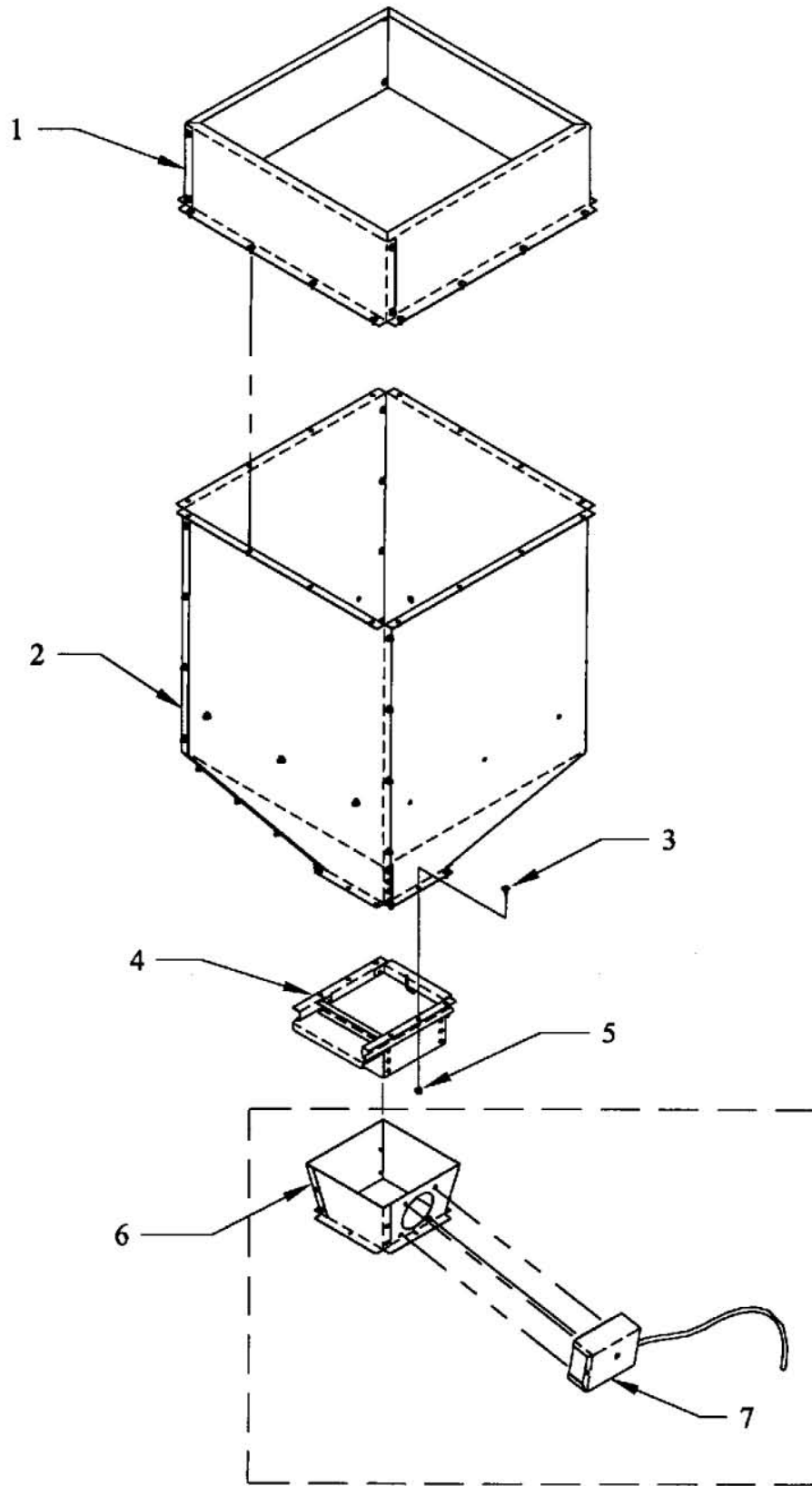
ROOSTER SCALES

## 350# LOW PROFILE HOPPER & ADAPTERS

ITEM	PART NO.	QTY	DESCRIPTION
--	003360	1	350# HOPPER ASSY (Includes items 1-9)
1	203521	4	EXTENSIONS (Shown Assembled)
2	--	72	SCREW, 1/4-20 X 1/2" Truss Head
3	--	72	NUT, 1/4-20 Hex Flange Lock
4	203520	4	HOPPER (Shown Assembled)
5	003595	2	SUPPORTS, Hopper
6	003590	2	CABLE MOUNT EXTENSIONS (attach to scale frame)
7	--	6	NUT, 5/16-18 Hex Flange Lock
8	--	6	SCREW, 5/16-18 X 3/4 Hex Cap
9	203014	1	GATE ASSEMBLY
10	203015	1	ADAPTER, Boot (for Cumberland, Choretime or Beacon) (sold separately from hopper assembly)
--	203021	1	ADAPTER, Boot (not shown - for Cyclone Single/Double) (sold separately from hopper assembly)
--	203011	1	ADAPTER, Boot (not shown - for Standard PAX w/2-1/2 hole) (sold separately from hopper assembly)
--	203011CT	1	ADAPTER, Boot (not shown - for PAX w/3-1/2 hole) (sold separately from hopper assembly)
--	203011NH	1	ADAPTER, Boot (not shown - for PAX w/o hole) (sold separately from hopper assembly)
--	203008	1	ADAPTER, Boot (not shown - for Dutchman) (sold separately from hopper assembly)
--	203009	1	ADAPTER, Boot (not shown - for Roxell) (sold separately from hopper assembly)
11	060148	1	SWITCH, Pressure (sold separately from hopper assembly)

ROOSTER SCALES

# 350# STANDARD HOPPER & ADAPTERS



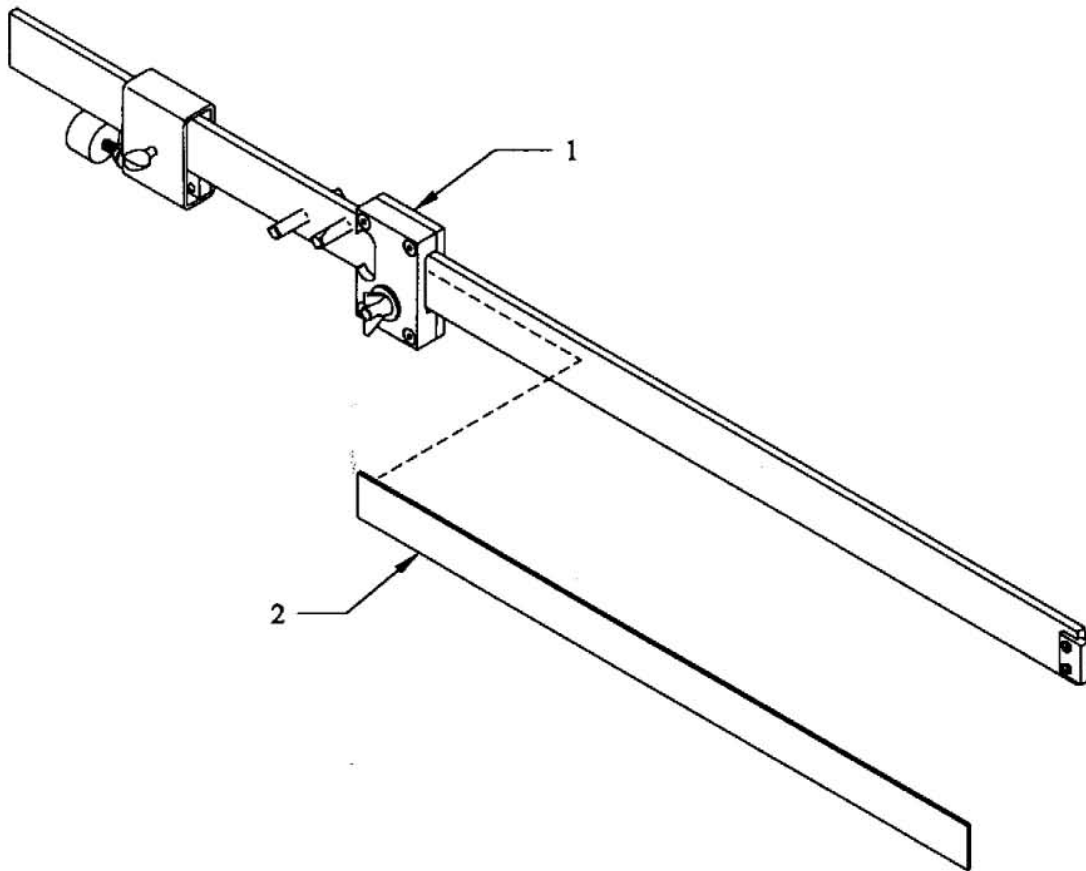
ROOSTER SCALES

## 350# STANDARD HOPPER & ADAPTERS

ITEM	PART NO.	QTY	DESCRIPTION
--	003350	1	250# HOPPER ASSY (Includes items 1-5)
1	203523	4	EXTENSIONS (shown assembled)
2	203522	4	HOPPER (shown assembled)
3	--	70	SCREW, 1/4-20 X 1/2" Truss Head
4	203014	1	GATE ASSEMBLY
5	--	70	NUT, 1/4-20 Hex Flange Lock
6	203015	1	ADAPTER, Boot (for Cumberland, Choretime or Beacon) (sold separately from hopper assembly)
--	203021	1	ADAPTER, Boot (not shown - for Cyclone Single/Double) (sold separately from hopper assembly)
--	203011	1	ADAPTER, Boot (not shown - for Standard PAX w/2-1/2 hole) (sold separately from hopper assembly)
--	203011CT	1	ADAPTER, Boot (not shown - for PAX w/3-1/2 hole) (sold separately from hopper assembly)
--	203011NH	1	ADAPTER, Boot (not shown - for PAX w/o hole) (sold separately from hopper assembly)
--	203008	1	ADAPTER, Boot (not shown - for Dutchman) (sold separately from hopper assembly)
--	203009	1	ADAPTER, Boot (not shown - for Roxell) (sold separately from hopper assembly)
7	060148	1	SWITCH, Pressure (sold separately from hopper assembly)

## ROOSTER SCALES

# METRIC BEAM CHART



ITEM	PART NO.	QTY	DESCRIPTION
1	--	1	BEAM (Same as other beam parts --see page 10-- only chart is different)
2	003136	1	CHART, Metric

## NOTES

# SPINKS SCALES

## PARTS MANUAL

For

### ROOSTER

### SCALES

### MODELS:

**250 #**

**350 #**

