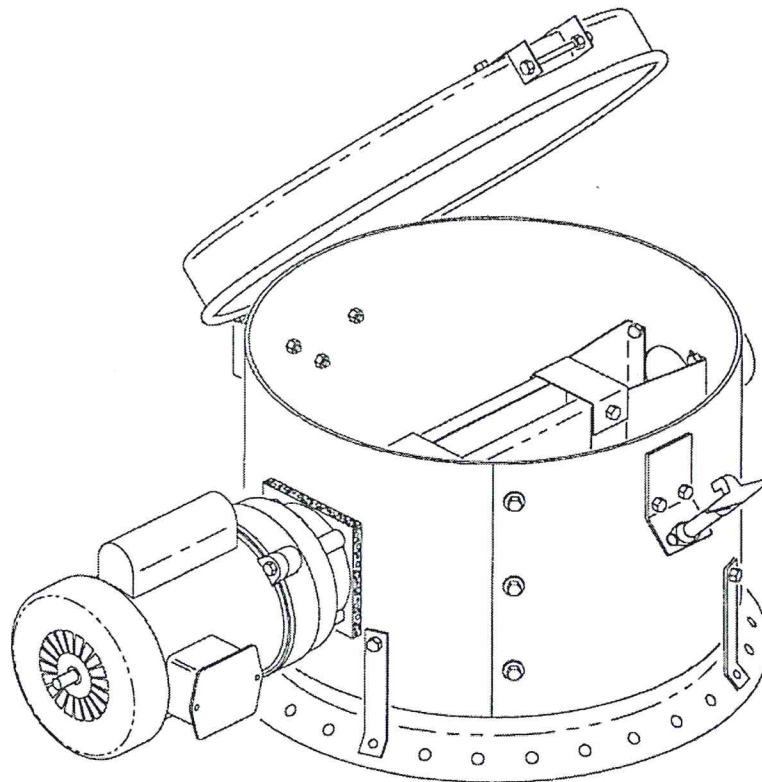

Fill Cap for Bulk Feed Bins

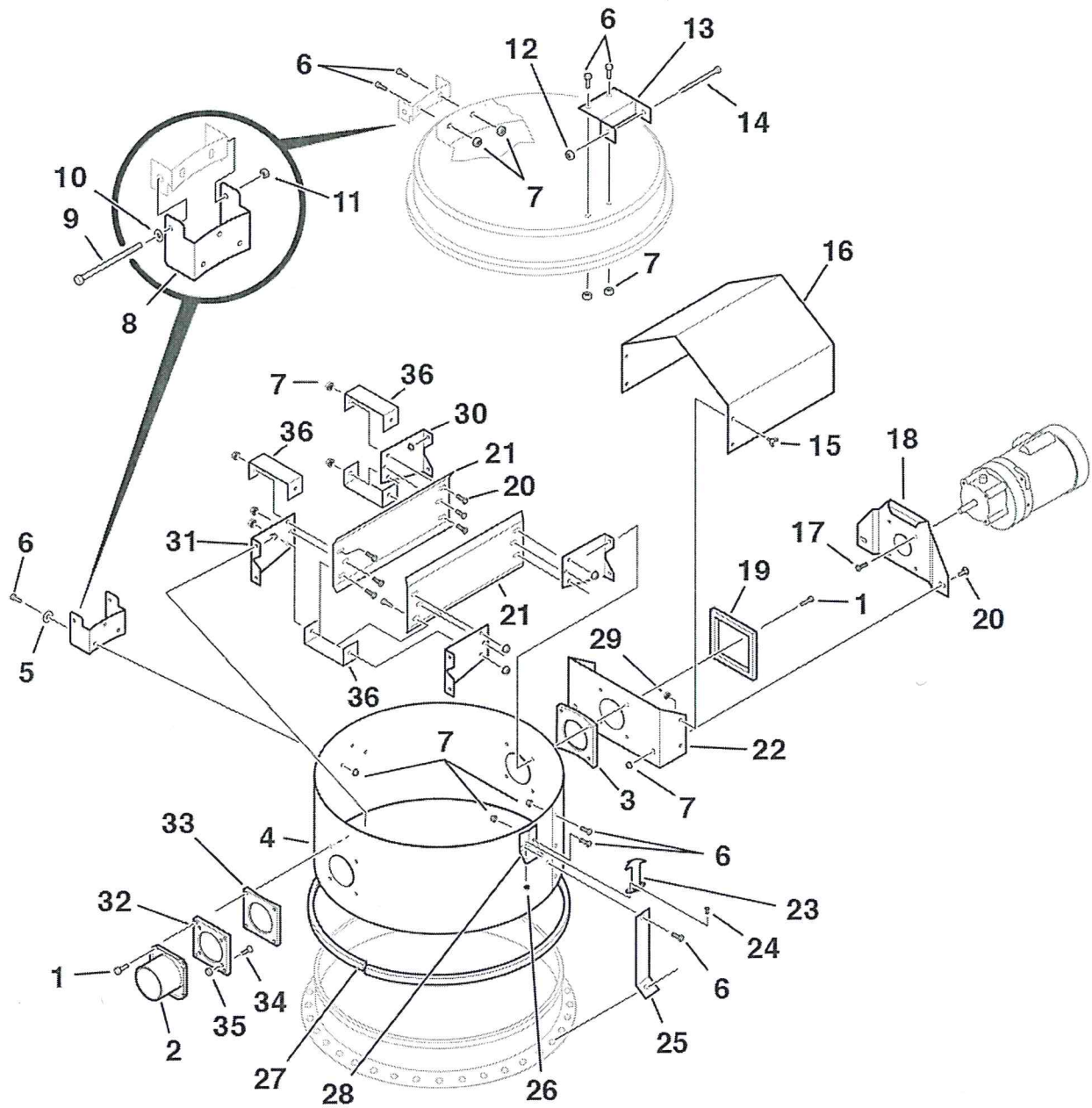
Installation Manual

Instr. # 25-03-0178 04/04

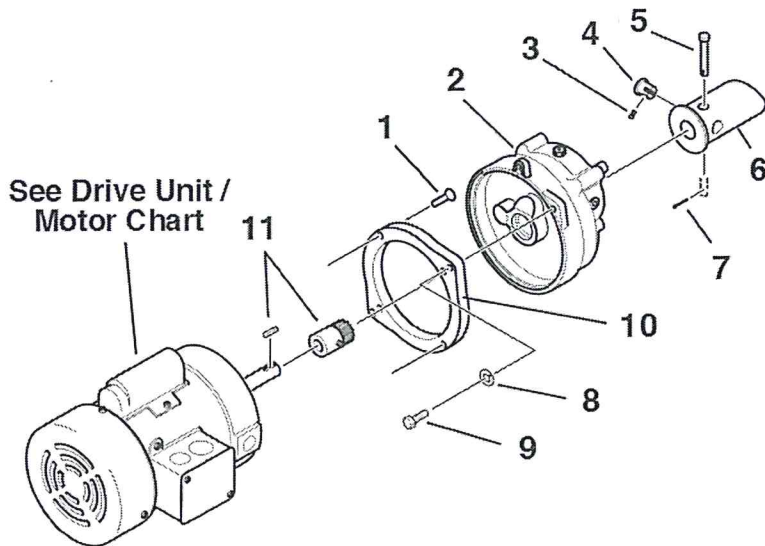
Model Numbers:

25-03-0100,	3 inch, Single
25-03-0120,	3 Inch, Single
25-03-0110,	3 Inch, Dual
25-05-0100,	3.5 Inch, Single
25-05-0145,	3.5 Inch, Single
25-05-0120,	3.5 Inch, Single
25-05-0110,	3.5 Inch, Dual





Item	Part No.	Description
1	99-10-0283	Hex Bolt, 5/16-18 x 1 in.
2	25-04-0155	Anchor Plate, 3.5 in.
3	25-05-0112	Gasket, 3 1/2 in.
4	25-03-0101	Body Ring, Single
5	99-20-0111	Trade Washer, 5/16 in.
6	99-10-0183	Hex Bolt, 5/16-18 x .75 in.
7	99-20-0100	Kep Nut, 5/16-18
8	25-03-0102	Hinge Bracket
9	99-10-1123	Hex Bolt, 3/8-16 x 6.5 in.
10	99-21-0003	Trade Washer, 1/4 in.
11	25-00-0806	Hex Lock Nut, 3/8-16
12	99-20-0176	Hex Lock Nut, 5/16-18
13	25-00-1222	Cap Latch
14	25-00-1080	Hex Head Cap Bolt, .312 in. x 3.5 in.
15	99-10-0110	Wing Bolt, 1/4-20 x .5 in.
16	25-03-0108	Motor Cover
17	99-10-0137	Hex Bolt, 1/4-20 x .75 in.
18	25-03-0163	Drive Mount Bracket
19	25-00-0815	Foam Motor Mount Gasket
20	99-10-0449	Carriage Bolt, 5/16-18 x .75 in.
21	25-10-0010	Auger Channel, Roof Fill 5 in.
22	25-03-0107	Roof Support Bracket
23	25-00-2041	Cap Hold Down
24	99-10-0118	Machine Screw, #10-24 x 3/8 in.
25	25-03-0109	Tie Strap
26	25-00-2126	Hex Nut, #10-24
27	25-03-1308	Seal, 1/2 in. Foam Strip
28	25-03-0103	Latch Bracket
29	99-20-0047	Nut, 1/4-20 K-Lock
30	25-10-0013	Motor Side Bracket Support, 3 in.
31	25-10-0011	Bracket Support, 5 in.
32	25-00-V789	Plate Adapter, 5 in. to 4 1/2 in.
33	25-10-0008	Roof Fill Seal, 5 1/2 in. Dia.
34	99-10-0150	Machine Screw, 5/16 - 18 x 3/4 in.
35	99-20-0100	Kep Nut, 5/16 - 18
36	25-10-0012	Roof Fill Spacer Bracket, 5 in.



Note: Due to it's outside application, the motor must be totally enclosed type.

Note: This unit is designed to fit the pneumatic fill roof style bulk bins.

Note: The unit shown is for the single drive, when assembling the dual drive units, the motors can be mounted on opposite sides of the body ring or one over the other, unit. This will require bulk feed tanks to be installed in specific locations in relation to the transition bin.

Note: The motor cover/ bracket is not shown in the illustration, The cover/ bracket must be assembled and mounted between the body and foam pad, with the cover projecting over the motor location. Then mount the gear box and motor.

Item No.	Part No.	Description
1	99-10-1216	Flat Head Screw, 3/8-16 x .75 in.
2	11-00-1005A	Reducer, 358 R.P.M.
3	99-10-1096	Set Screw, 5/16-18 x .5 in., Sq. Hd.
4	25-03-1051	Anchor Spindle
5	99-50-1117	Clevis Pin, 1/4 in. x 1 5/8 in.
6	25-04-1052	Anchor Body Weldment, 7/8 in.
7	99-50-0023	Cotter Pin, 5/64 in.x 3/4 in.
8	99-20-0054	Lock Washer, 5/16 in.
9	99-10-0109	Hex Bolt, 5/16-18 x 1.25 in.

Drive Unit No.	10 Motor Adapter	11 Pinion
25-05-0112	-----	10-00-9613 (w/ Set Screw Only)
25-05-0119	11-00-1053	11-00-9364 (w/ Square Key & Set Screw)
25-05-0121	11-00-1053	11-00-9364 (w/ Square Key & Set Screw)

Drive Unit / Motor Chart

Roof Cover Fill Kit No.	Type	Drive Unit No.	Motor No.	Description
25-03-0100	3 in. Single	25-03-0112	90-00-1328	1/2hp, 50/60Hz, 1ph, 115/208-230v.
25-03-0110	3 in. Dual	25-03-0112	90-00-1328	1/2hp, 50/60Hz, 1ph, 115/208-230v.
25-03-0120	3 in. Single	25-03-0119	90-00-0450	3/4hp, 50Hz, 3ph, 220/380-440v.
25-05-0100	3.5 in. Single	25-03-0112	90-00-1328	1/2hp, 50/60Hz, 1ph, 115/208-230v.
25-05-0145	3.5 in. Single	25-03-0121	90-00-9132	3/4hp, 60Hz, 3ph, 208-230/460v.
25-05-0120	3.5 in. Single	25-03-0119	90-00-0450	3/4hp, 50Hz, 3ph, 220/380-440v.
25-05-0110	3.5 in. Dual	25-03-0112	90-00-1328	1/2hp, 50/60Hz, 1ph, 115/208-230v.