

# FLEX-vey® 35 ○

## Auger Fill System

### Replacement Parts

Instr. #25-05-0233 09/12

For the following components:	
<b>Power Units</b>	
<b>Direct Drive</b>	
<b>25-05-0006</b>	350rpm, 1hp, 115/230v, 50/60HZ, 1ph, 56N
<b>25-05-0150</b>	350rpm, 3/4hp, 115/230v, 1ph, 56YZ
<b>25-05-1600</b>	300/358 rpm, 3/4hp, 50/60HZ. 115/220-230v, 1ph, 56N (same as #25-05-1606, less wiring)
<b>25-05-1606</b>	300/358 rpm, 3/4hp, 50/60HZ, 115/220-230v, 1ph, 56YZ
<b>25-05-1607</b>	358rpm, 3/4hp, 60HZ, 208-230/460v, 3ph, 56C
<b>25-05-1608</b>	358rpm, 3/4hp, 60HZ, 380v, 3ph, 56C
<b>25-05-1609</b>	300rpm, 3/4hp, 50HZ, 220/380/440v, 3ph, 56C
<b>25-05-1624</b>	350rpm, 3/4hp, 50hz, 220/280/440v, 3ph, 56C
<b>25-05-1626</b>	350hp, 3/4hp, 50/60HZ, 115/230v, 1ph, 56YZ
<b>25-05-1658</b>	350rpm, 3/4hp, 60HZ, 115/230, 1ph, 56YZ
<b>25-05-1713</b>	358rpm, 1hp, 60HZ, 115/230v, 3ph, 56N
<b>25-05-1714</b>	300rpm, 1hp, 50HZ, 220v, 1ph, 56C
<b>25-05-1715</b>	358rpm, 1hp, 60HZ, 208-230/460v, 3ph, 56C
<b>25-05-1716</b>	358rpm, 1hp, 60HZ, 380v, 3ph, 56C
<b>25-05-1717</b>	300rpm, 1hp, 50HZ, 220/380/440v, 3ph, 56C
<b>25-05-1718</b>	350rpm, 1hp, 60HZ, 115/230v, 56N
<b>25-05-1721</b>	350rpm, 3/4hp, 50/60HZ, 115/220-230v, 1ph, 56YZ
<b>25-05-1761</b>	350rpm, 1hp, 50HZ, 220/380/440v, 3ph, 56C
<b>25-05-1762</b>	350rpm, 1hp, 60HZ, 208-230/460v, 3ph, 56C

Belt Drive	
<b>25-05-1211</b>	8" [203mm] Pulley
<b>86-00-0210</b>	12" [305mm] Pulley

Unloader Valve Kits, for 16" [406mm] Opening Bins	
<b>25-16-1200</b>	Single Out
<b>25-16-1225</b>	Double Out
<b>25-16-1235</b>	Double Out, Opposite
<b>25-16-1250</b>	Single Through, less Arbor, w/Baffle Plate
<b>86-00-0096</b>	Double Through, less Arbors

In-Line Transfer Assembly	
<b>25-03-1170</b>	



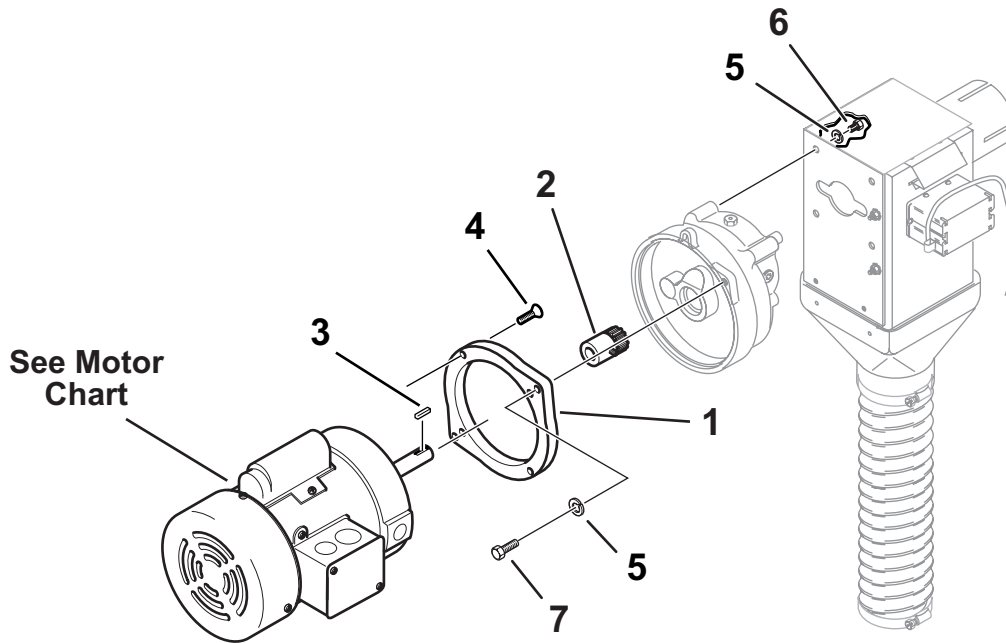
**Big Dutchman®**

# Contents

Overview of changes / updates in the manual .....	3
Direct Drive Power Unit .....	4
Direct Drive Power Unit .....	5
Direct Drive Power Unit (For use with Proximity Switch).....	6
Direct Drive Power Unit .....	7
Belt Drive Power Unit .....	8
Belt Drive Power Unit .....	9
Unloader Assembly (single).....	10
Unloader Assembly (double) .....	11
Unloader Assembly (double continued).....	12
Unloader Boots, 16in. [406mm].....	13
30° Unloader Boot, 22in. [559mm] .....	14
30° Unloader Boot, 22in. [559mm] .....	15
Arbor Assemblies.....	16
Wiring Diagram-Auger Fill (25-03-0138).....	17
In-Line Transfer Assembly (25-03-1170) .....	18
Replacement Parts (25-03-1170) .....	19



# Direct Drive Power Unit



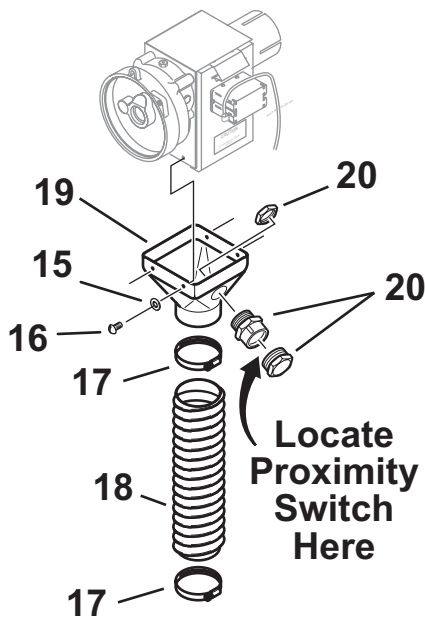
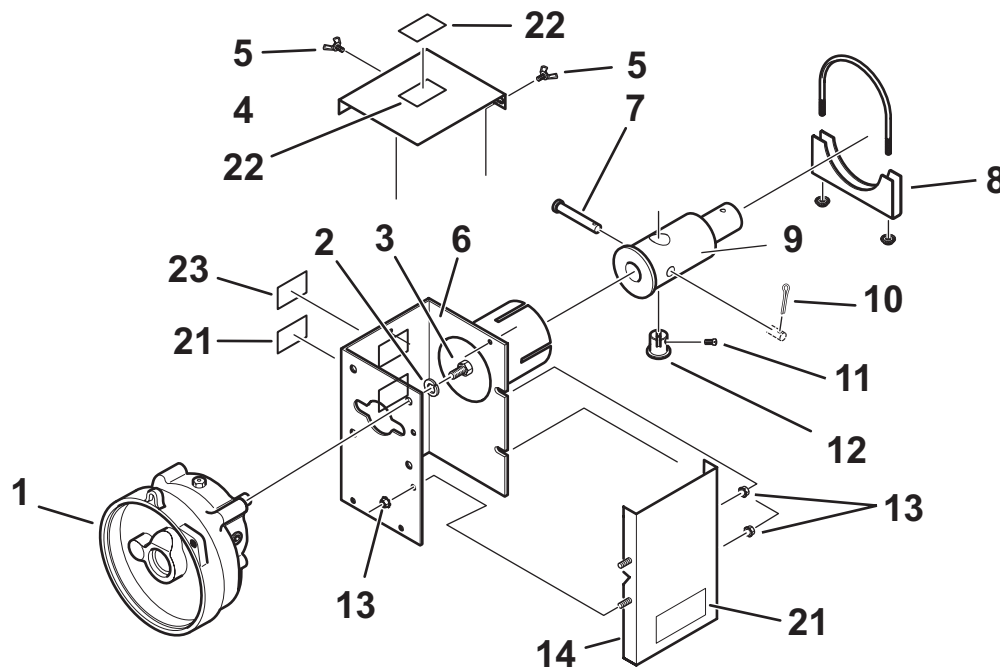
Power Unit No.	1 Motor Adapter	2 Pinion
25-05-0006	N/A	86-00-0205
25-05-0150	N/A	10-00-9613
25-05-1600	N/A	10-00-9613
25-05-1606	N/A	10-00-9613
25-05-1607	11-00-1053	11-00-9364
25-05-1608	11-00-1053	11-00-9364
25-05-1609	11-00-1053	11-00-9364
25-05-1624	11-00-1053	11-00-9364
25-05-1626	N/A	10-00-9613
25-05-1658	N/A	10-00-9613
25-05-1713	N/A	86-00-0205
25-05-1714	11-00-1053	11-00-9364
25-05-1715	11-00-1053	11-00-9364
25-05-1716	11-00-1053	11-00-9364
25-05-1717	11-00-1053	11-00-9364
25-05-1718	N/A	11-00-1029
25-05-1721	N/A	10-00-9613
25-05-1761	11-00-1053	11-00-9364
25-05-1762	11-00-1053	10-00-9364

# Direct Drive Power Unit

Item	Part No.	Description
3	99-50-0338	Square Key, 3/16 X 3/4"
4	11-00-1028	Socket Bolt, 3/8-16 X 1"
5	99-20-0054	Lock Washer, 5/16"
6	99-10-0278	Hex Bolt, 5/16-18 X 5/8"
7	99-10-0109	Hex Bolt, 5/16-18 X 1-1/4"

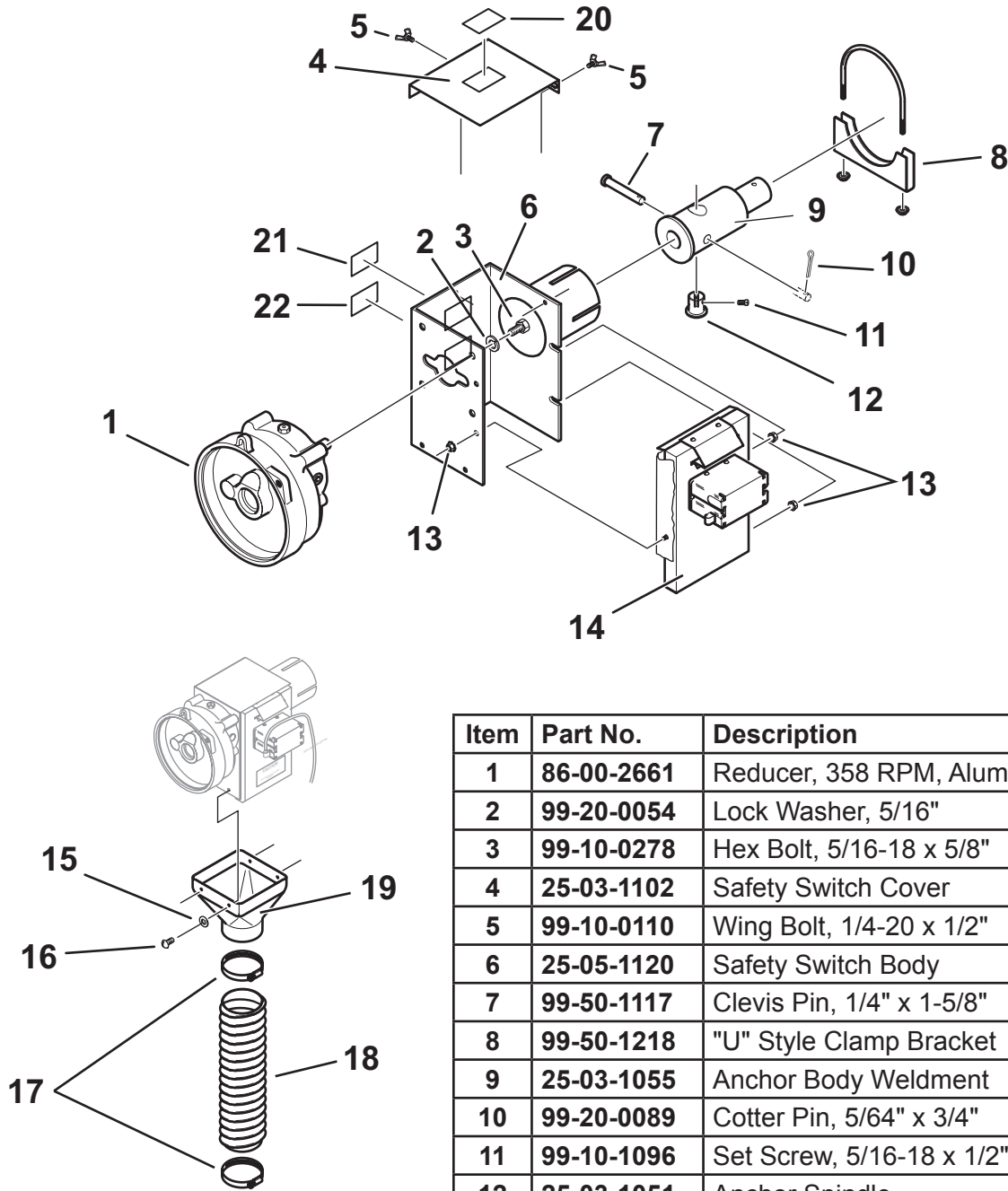
Motor Chart		
Power Unit No.	Motor No.	Description
25-05-0006	90-00-0366	350rpm, 1hp, 115/230v, 50/60HZ, 1ph, 56N
25-05-0150	90-00-1072	350rpm, 3/4hp, 115/230v, 1ph, 56YZ
25-05-1600	90-00-1072	MTR,3/4HP,1PH,50/60HZ,56YZ FLG,115/230V,1725/1425RPM 3K996
25-05-1606	90-00-1072	MTR,3/4HP,1PH,50/60HZ,56YZ FLG,115/230V,1725/1425RPM 3K996
25-05-1607	90-00-9132	60HZ, 3PH, 208-230/460V, 358 RPM, 3/4HP Motor, 56YZ
25-05-1608	90-00-0461	60HZ, 3PH, 380V, 358 RPM, 3/4HP Motor, 56C
25-05-1609	90-00-0450	50HZ, 3PH, 220/380/440V, 300 RPM, 3/4HP Motor, 56C
25-05-1624	90-00-0450	350rpm, 3/4hp, 50hz, 220/280/440v, 3ph, 56C
25-05-1626	90-00-1072	350hp, 3/4hp, 50/60HZ, 115/230v, 1ph, 56YZ
25-05-1658	90-00-1072	350rpm, 3/4hp, 60HZ, 115/230, 1ph, 56YZ
25-05-1713	90-00-0366	60HZ, 1PH, 115/230V, 358RPM, 1HP Motor, 56N
25-05-1714	90-00-0418	50HZ, 1PH, 220V, 300 RPM, 1HP Motor, 56C
25-05-1715	90-00-9069	60HZ, 3PH, 208-230/460V, 358 RPM, 1HP Motor, 56C
25-05-1716	90-00-0462	60HZ, 3PH, 380V, 358 RPM, 1HP Motor, 56C
25-05-1717	86-00-0242	50HZ, 3PH, 220/380/440V, 300 RPM, 1HP Motor, 56C
25-05-1718	90-00-0525	350rpm, 1hp, 60HZ, 115/230v, 56N, 56N
25-05-1721	90-00-1072	350rpm, 3/4hp, 50/60HZ, 115/220-230v, 1ph, 56YZ
25-05-1761	86-00-0242	MTR,1HP 3PH 50HZ 220/380/440 56C FR #114896.00 5/8"D SHAFT
25-05-1762	90-00-9069	350rpm, 1hp, 60HZ, 208-230/460v, 3ph, 56C

# Direct Drive Power Unit (For use with Proximity Switch)



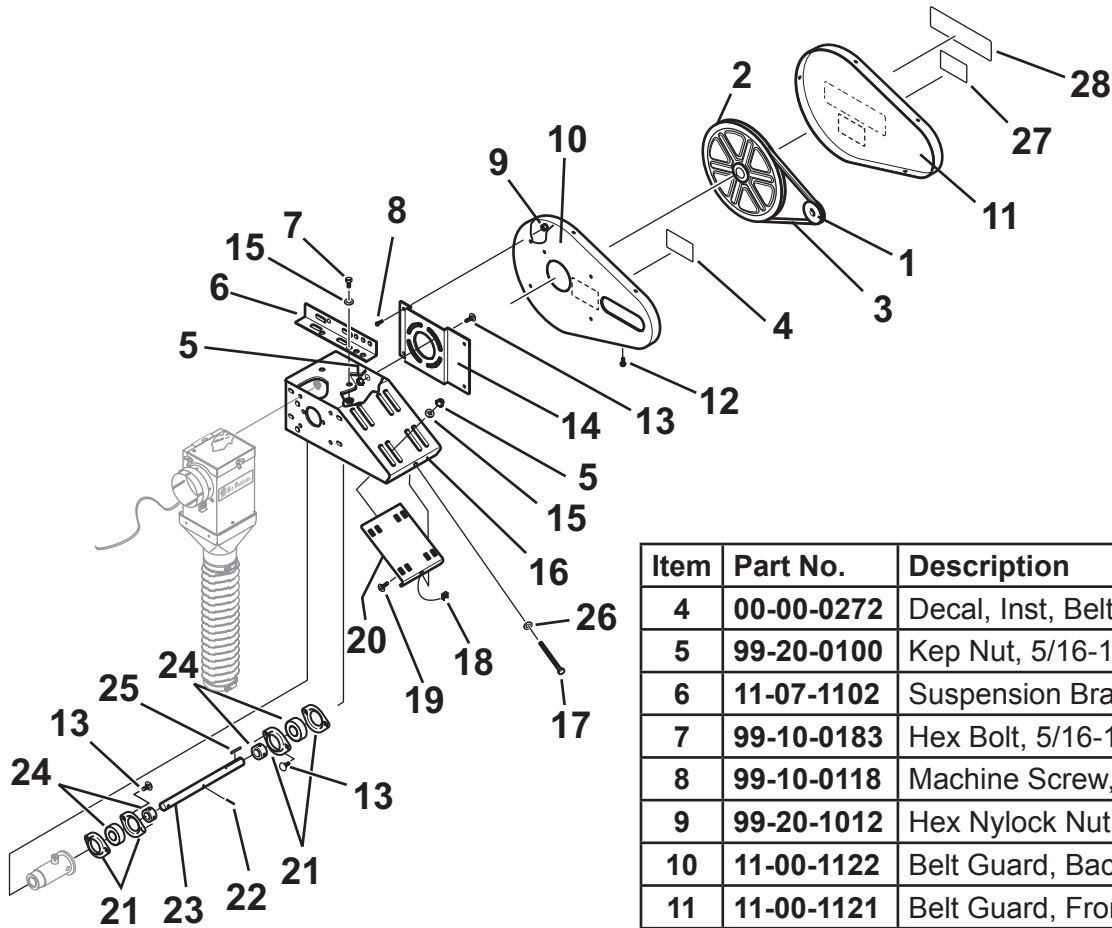
Item	Part No.	Description
1	86-00-2661	Reducer, 358 RPM, Alum.
1	11-00-9316A	Reducer, 657 RPM, Alum.
1	11-00-9375	Reducer, 412 RPM, Orange
2	99-20-0054	Lock Washer, 5/16"
3	99-10-0278	Hex Bolt, 5/16-18 x 5/8"
4	25-03-1102	Safety Switch Cover
5	99-10-0110	Wing Bolt, 1/4-20 x 1/2"
6	25-05-1120	Safety Switch Body
7	99-50-1117	Clevis Pin, 1/4" x 1-5/8"
8	99-50-1218	"U" Style Clamp Bracket
9	25-03-1055	Anchor Body Weldment
10	99-50-0023	Cotter Pin, 5/64" x 3/4"
11	99-10-1096	Set Screw, 5/16-18 x 1/2"
12	25-03-1051	Anchor Spindle
13	99-20-0089	Kep Nut, #10-24
14	25-03-1185	Blank Switch Plate
15	99-20-0336	Flat Washer, 1/4"
16	99-10-0094	Machine Screw, 1/4-20 x 1/2"
17	99-50-1365	Band Clamp, 3-1/2" x 4-1/4"
18	15-00-1027	Flex Spout, 3-1/2" x 12"
19	25-05-1144	Plastic Drop Spout, 3-1/2"
20	91-00-0675	Gland, Plastic, Mounting Proximity Switch
21	00-00-0222	Decal, Warning, Elec,Eng/Spn Turn Off PwrSup
22	36-00-0111	Decal, Warn'g,Guard,Eng/Spn Do Not Rem Grd
23	00-00-0440	Decal, Big D 5.00" x 1.25"

# Direct Drive Power Unit



Item	Part No.	Description
1	86-00-2661	Reducer, 358 RPM, Alum.
2	99-20-0054	Lock Washer, 5/16"
3	99-10-0278	Hex Bolt, 5/16-18 x 5/8"
4	25-03-1102	Safety Switch Cover
5	99-10-0110	Wing Bolt, 1/4-20 x 1/2"
6	25-05-1120	Safety Switch Body
7	99-50-1117	Clevis Pin, 1/4" x 1-5/8"
8	99-50-1218	"U" Style Clamp Bracket
9	25-03-1055	Anchor Body Weldment
10	99-20-0089	Cotter Pin, 5/64" x 3/4"
11	99-10-1096	Set Screw, 5/16-18 x 1/2"
12	25-03-1051	Anchor Spindle
13	99-20-0089	Kep Nut, #10-24
14	25-03-1184	Fill Power Shut-off Switch
15	99-20-0336	Flat Washer, 1/4"
16	99-10-0094	Machine Screw, 1/4-20 x 1/2"
17	99-50-1365	Band Clamp. 3-1/2" x 12"
18	15-00-1027	Flex Spout, 3-1/2" x 12"
19	25-05-1123	Plastic Drop Spout, 3-1/2"
20	36-00-0111	Decal, Warn'g Eng/Spn Do Not Rem Grd
21	00-00-0440	Decal, Big D 5.00" x 1.25"
22	00-00-0222	Decal, Caution Eng/Spn This Unit/Start Auto

# Belt Drive Power Unit



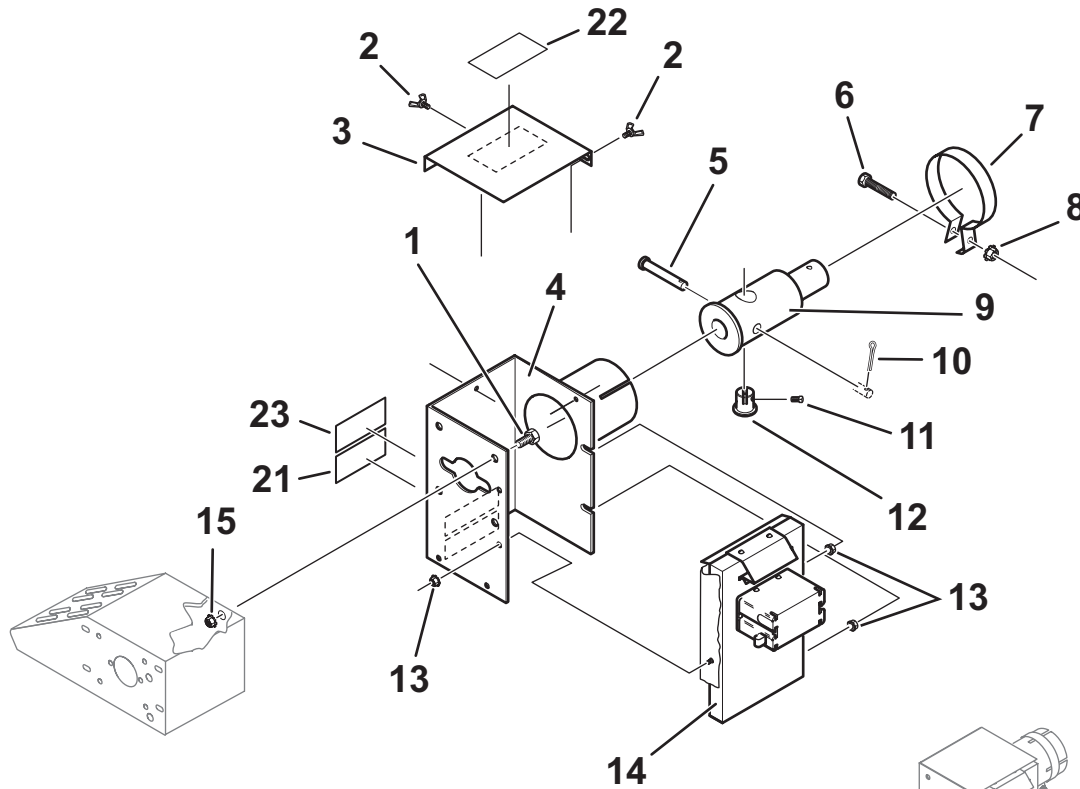
Type	1 Motor Sheave
Standard/ Domestic	<b>99-50-1006</b> .625" [16 mm] Bore x 2.5" [64 mm] O.D.
Metric/ International	<b>99-50-1105</b> 19mm Bore x 64 mm O.D.]

Model	2 Sheave	3 V-Belt
<b>25-05-1211</b> 8" Pulley [203mm]	<b>99-50-1077</b> 3/4" ID x 8" [203 mm]	<b>99-50-0097</b> 4L-380, 38"
<b>86-00-0210</b> 12" Pulley [305 mm]	<b>99-50-0981</b> 3/4" ID. x 12" [305mm]	<b>99-54-0047</b> 4L-450 45"

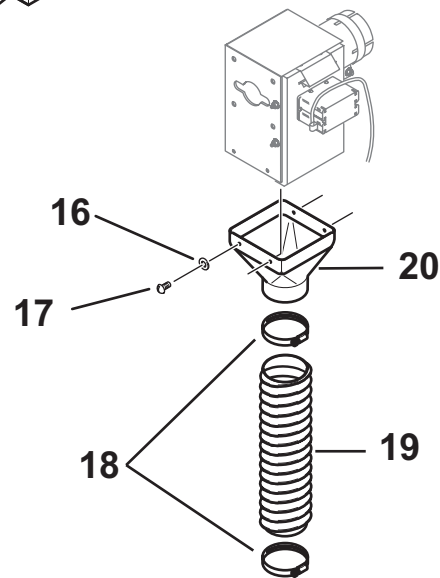
Item	Part No.	Description
4	00-00-0272	Decal, Inst, Belt Tighten
5	99-20-0100	Kep Nut, 5/16-18
6	11-07-1102	Suspension Bracket
7	99-10-0183	Hex Bolt, 5/16-18 x 3/4"
8	99-10-0118	Machine Screw, #10-24 x 3/8"
9	99-20-1012	Hex Nylock Nut, #10-24
10	11-00-1122	Belt Guard, Back
11	11-00-1121	Belt Guard, Front
12	99-10-1115	Hex Washer Screw, #10 x 1/2"
13	99-10-0449	Carriage Bolt, 5/16-18 x 1"
14	25-03-0147	Belt Guard Support Plate
15	99-21-0003	Flat Washer, 1/4" x 3/16"
16	25-03-0142	Motor Mount
17	99-10-0874	Hex Cap Bolt, 3/8-16 x 2-1/2"
18	99-20-0404	Retaining Nut, 3/8-16
19	99-10-0154	Carriage Bolt, 5/16-18 x 1"
20	25-03-0146	Motor Mount Slide Plate
21	99-50-0667	Bearing Flangette, 3/4"
22	99-50-0174	Roll Pin, 1/8" x 1"
23	25-03-1104	Drive Shaft
24	99-50-0980	Bearing & Collar, 3/4"
25	99-50-0020	Sq, Key, 3/16" x 1-1/4"
26	99-20-0111	Washer, 5/16 Trade, Flat
27	36-00-0111	Decal, Warning, ENG/SPN Do not remove guards while machine is operating
28	00-00-0442	Decal, Big D 5.00" x 1.25"



# Belt Drive Power Unit

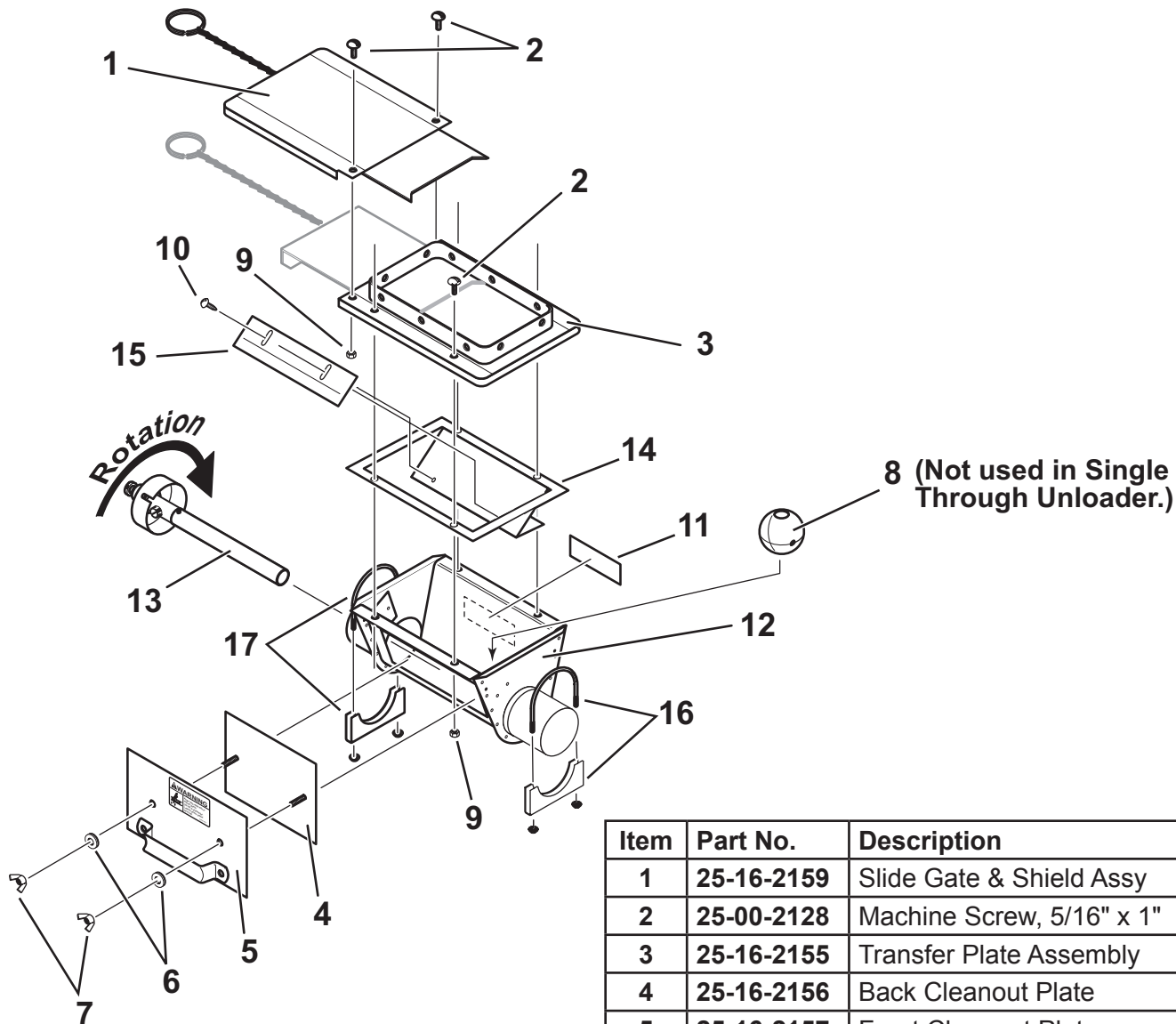


Item	Part No.	Description
1	99-10-0137	Hex Bolt, 1/4-20 x 3/4"
2	99-10-0110	Wing Bolt, 1/4-20 x 1/2"
3	25-03-1102	Safety Switch Cover
4	25-05-1120	Safety Switch Body
5	99-50-1117	Clevis Pin, 1/4" x 1-5/8"
6	99-10-0288	Hex Bolt, 5/16-18 x 1-3/4"
7	99-50-1138	Stop Clamp
8	99-20-0100	Kep Nut, 5/16-18
9	25-03-1065	Anchor Body Weldment
10	99-50-0023	Cotter Pin, 5/64" x 3/4"
11	99-10-1096	Set Screw, 5/16-18 x 1/2"
12	25-03-1051	Anchor Spindle
13	99-20-0089	Kep Nut, #10-24
14	25-03-1184	Fill Power Shut-off Switch
15	99-20-0047	Kep Nut, 1/4-20
16	99-20-0336	Flat Washer, 1/4"
17	99-10-0094	Machine Screw, 1/4-20 x 1/2"
18	99-50-1365	Band Clamp, 3-1/2" x 4-1/4"
19	15-00-1027	Flex Spout, 3-1/2" x 12"
20	25-05-1123	Plastic Drop Spout, 3-1/2"



Item	Part No.	Description
21	00-00-0222	Decal, Caution, Eng/Span
22	00-00-0229	Decal. Warning Elec., Eng/ Span
23	00-00-0440	Decal, Big D., 5.0" x 1.25"

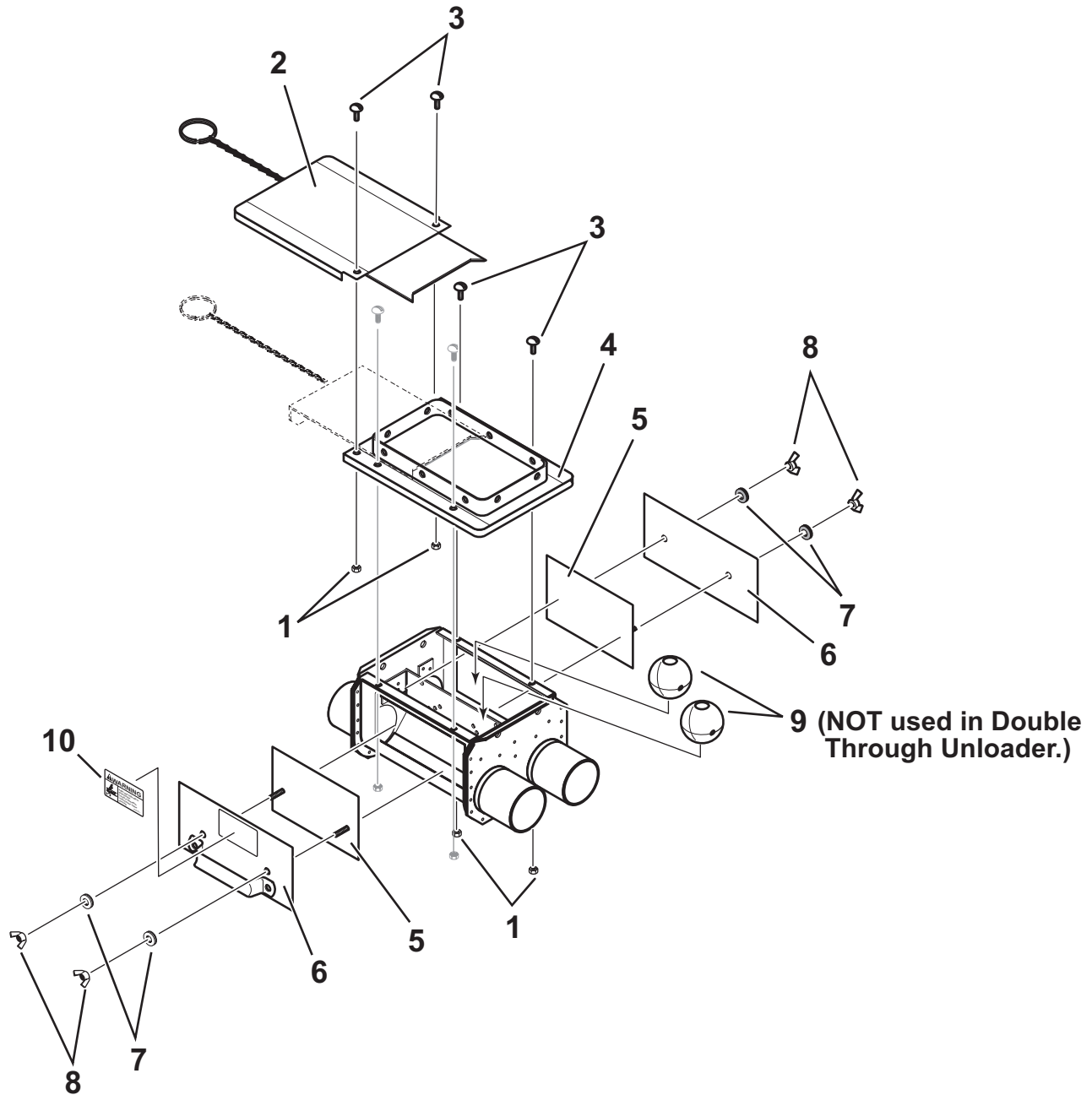
# Unloader Assembly (single)



Item	Part No.	Description
1	25-16-2159	Slide Gate & Shield Assy
2	25-00-2128	Machine Screw, 5/16" x 1"
3	25-16-2155	Transfer Plate Assembly
4	25-16-2156	Back Cleanout Plate
5	25-16-2157	Front Cleanout Plate
6	25-00-2159	Washer, 3/8"
7	99-20-0041	Wing Nut, 5/16-18
8	25-16-1003	Cast Iron Agitator Ball
9	25-00-2125	Hex Nut, 5/16-18
10	99-10-0536	Pan Head Screw, 8-32 x 1/2"
11	00-00-0440	Decal, Big D, 5.00" x 1.25"

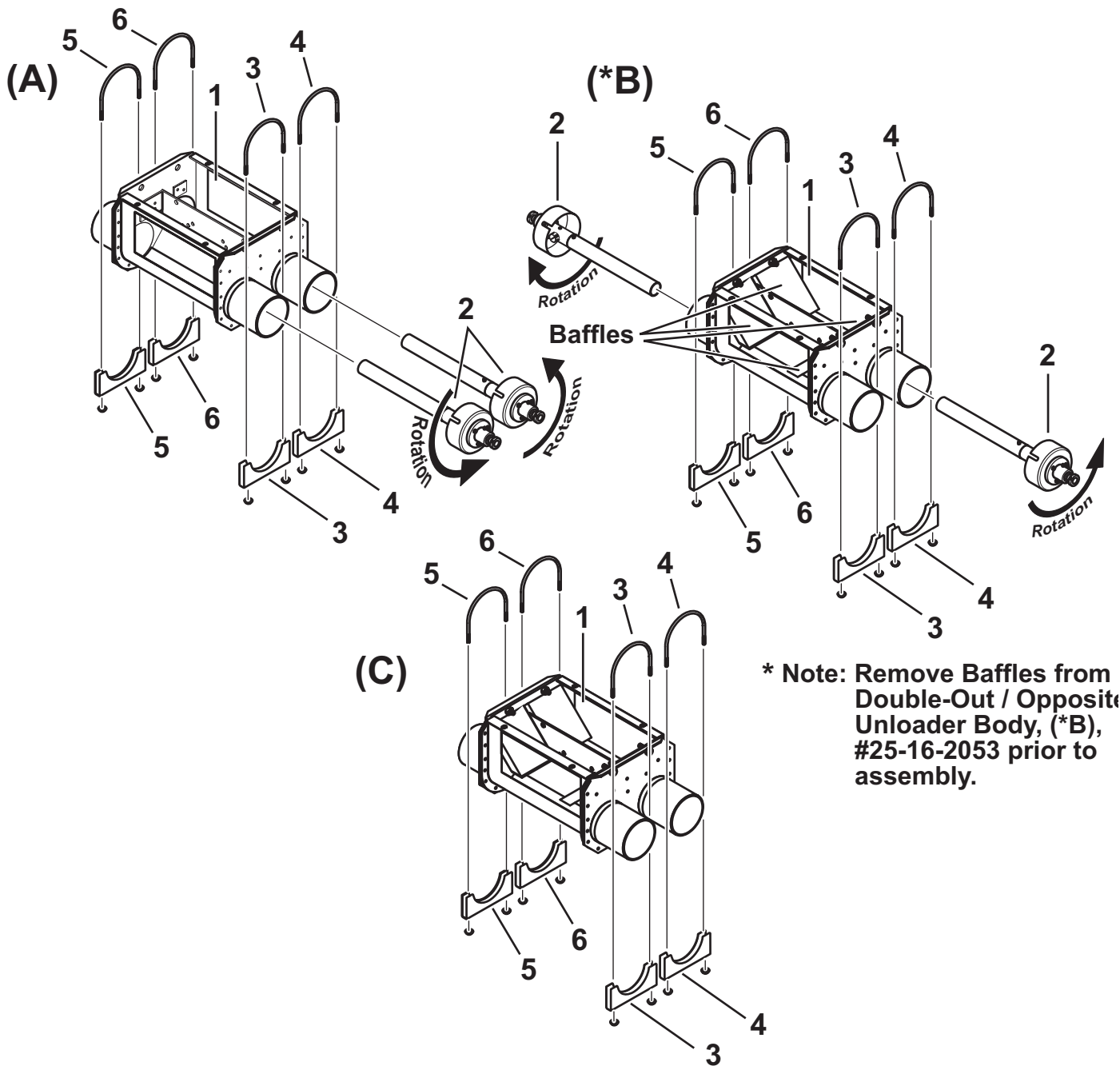
Unloader Kit	12 Unloader Body	13 3-1/2" Anchor Assy	14 Baffle Body	15 Baffle Slide Plate	16 Tube Clamp Assy	17 Tube Clamp Assy
25-16-1200 350 Single Out	25-16-2053	25-16-1202	---	---	25-00-2155 (4")	25-00-2533 (3-1/2")
25-16-1250 350 Single Through	25-16-2053	---	25-16-0998	25-16-0997	25-00-2155 (4")	25-00-2155 (4")

# Unloader Assembly (double)



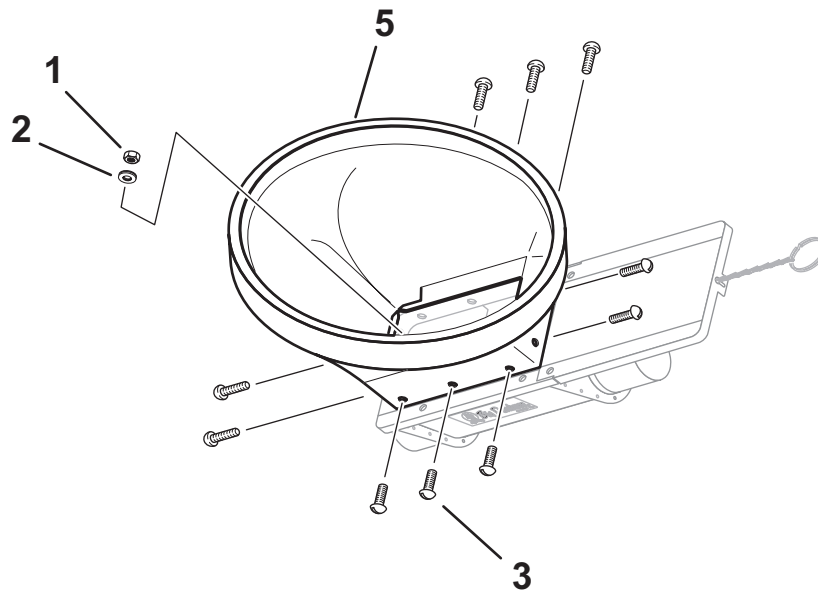
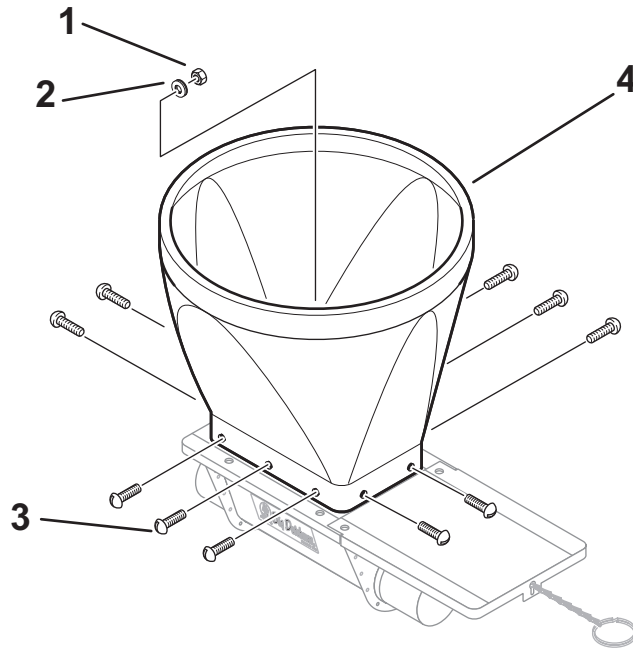
Item	Part No.	Description
1	25-00-2125	Hex Nut, 5/16-18
2	25-16-2159	Slide Gate & Shield Assy
3	25-00-2128	Machine Screw, 5/16 x 1"
4	25-16-2155	Transfer Plate
5	25-16-2156	Back Cleanout Plate
6	25-16-2157	Front Cleanout Plate
7	25-00-2159	Washer, 3/8"
8	99-20-0041	Wing Nut, 5/16-18
9	25-16-1003	Cast Iron Agitator Ball
10	00-00-0222	Decal, Caution, Eng/Span

# Unloader Assembly (double continued)



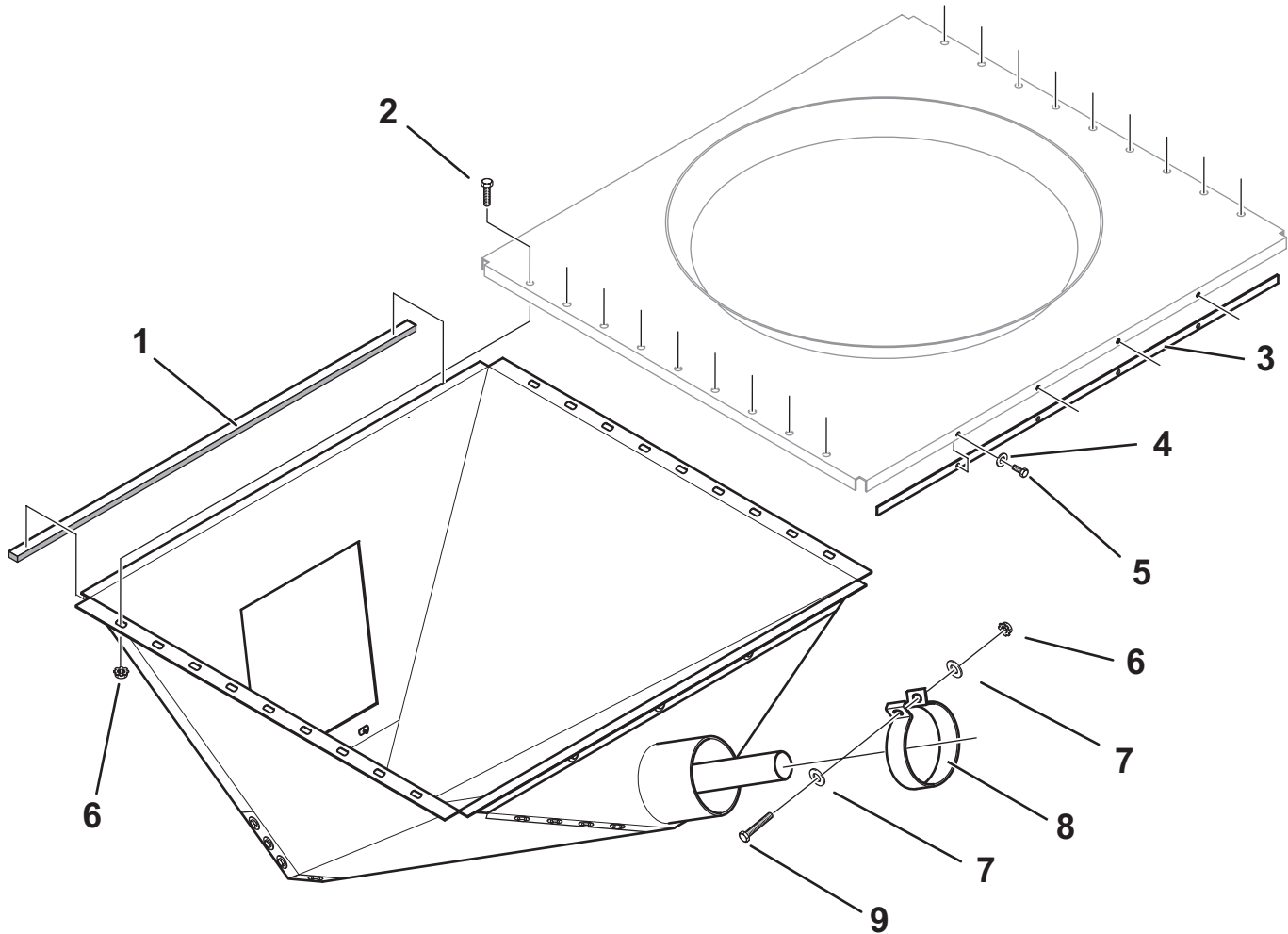
Unloader Kit	1 Unloader Body	2 Arbor Assy w/Zerk	3 Tube Clamp Assy	4 Tube Clamp Assy	5 Tube Clamp Assy	6 Tube Clamp Assy
(A) 25-16-1225 Dbl. Out	25-16-1226	25-16-1202	25-00-2533 (3-12")	25-00-2533 (3-1/2")	25-00-2155 (4")	25-00-2155 (4")
(*B) 25-16-1235 Dbl. Out, Opp.	25-16-2053	25-16-1202	25-00-2155 (4")	25-00-2533 (3-12")	25-00-2533 (3-1/2")	25-00-2155 (4")
(C) 25-15-1275 Dbl. Through	25-16-1275	N/A	25-00-2155 (4")	25-00-2155 (4")	25-00-2155 (4")	25-00-2155 (4")

# Unloader Boots, 16in. [406mm]



Item	Part No.	Description
1	25-00-2125	Hex Nut, 5/16-18
2	25-00-2130	Nylon Washer, 5/16"
3	25-00-2128	Machine Screw, 5/16" x 1"
4	86-00-0038	Plastic Boot, Straight, (For 16" [406mm] Opening Bin)
5	86-00-0037	Plastic Boot, 30 Degree, (For 16" [406mm] Opening Bin)

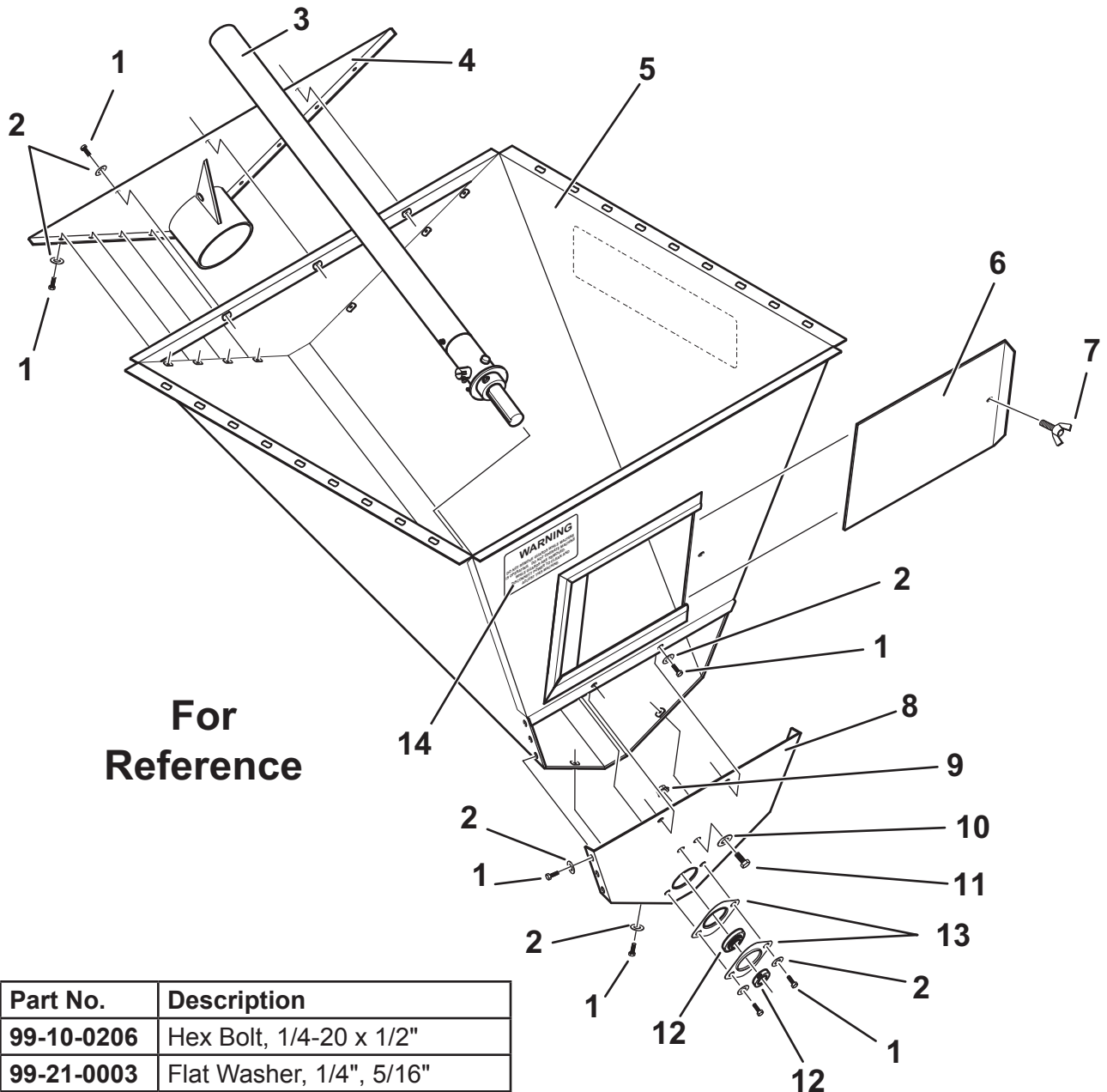
# 30° Unloader Boot, 22in. [559mm]



**For  
Reference**

Item	Part No.	Description
1	25-03-1308	1/2" Foam Seal Strip
2	99-10-0283	Hex Bolt, 5/16-18 x 1"
3	25-03-1309	Front Boot Support
4	99-20-0336	Flat Washer, 1/4"
5	99-10-0206	Hex Bolt, 1/4-20 x 1/2"
6	99-20-0100	Kep Nut, 5/16-18
7	99-21-0003	Flat Washer, 1/4", 5/16"
8	99-50-1138	Stop Clamp, 3-1/2"
9	99-10-0288	Hex Bolt, 5/16-18 x 1-3/4"

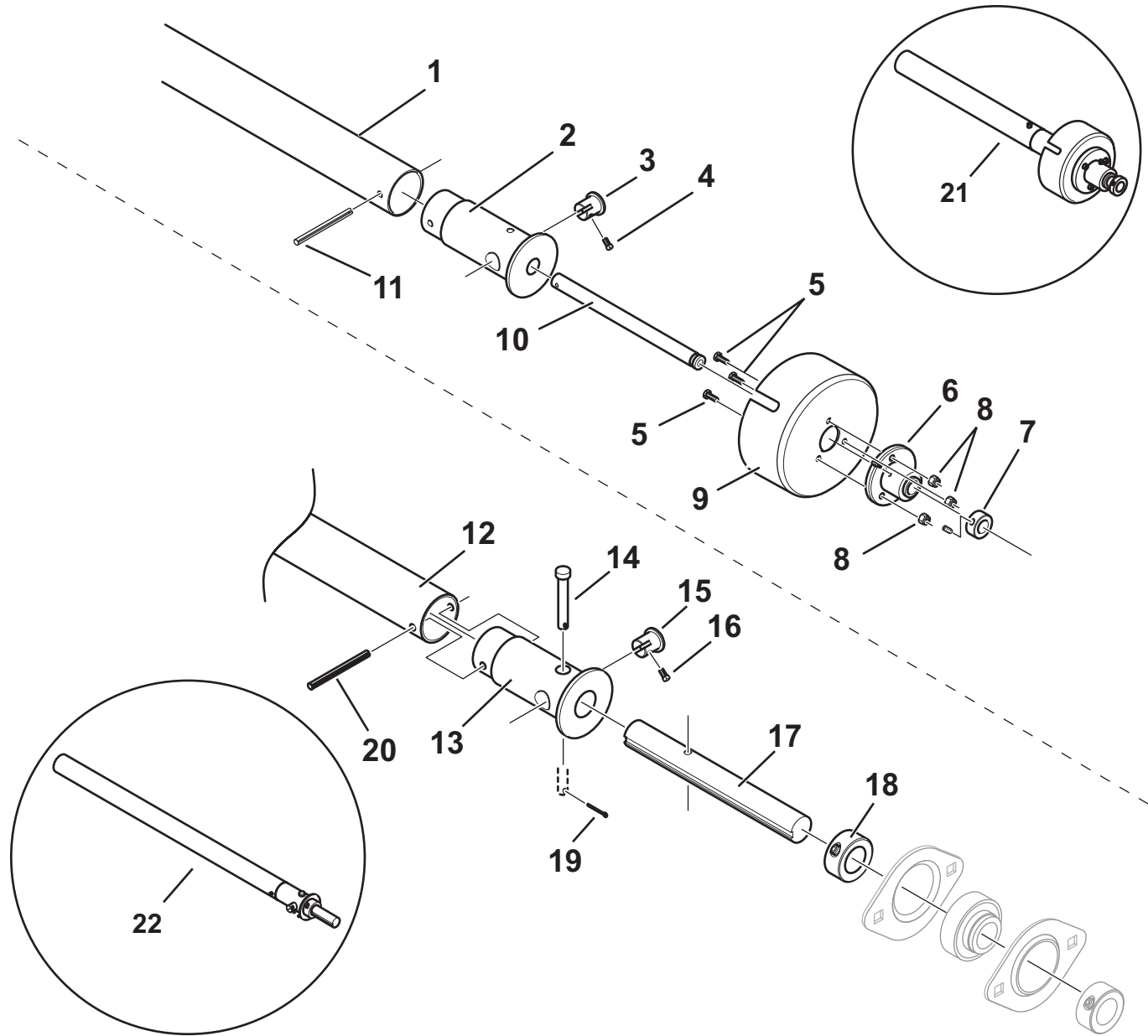
# 30° Unloader Boot, 22in. [559mm]



**For Reference**

Item	Part No.	Description
1	99-10-0206	Hex Bolt, 1/4-20 x 1/2"
2	99-21-0003	Flat Washer, 1/4", 5/16"
3	25-03-1430	Arbor Assembly
4	25-05-1306	Single End Outlet
5	25-03-1410	Boot Body
6	25-03-1401	Inspection Door
7	99-10-0110	Wing Bolt, 1/4-20 x 1/2"
8	25-02-1302	End Plate
9	99-20-0097	Kep Lock Nut, 3/8-16
10	99-20-0111	Flat Washer, 5/16" .375" I.D.
11	99-10-0261	Hex Bolt, 3/8-16 x 5/8"
12	99-50-0980	Bearing & Collar
13	99-50-0667	Bearing Flangette
14	36-00-0111	"Warning" Decal 2" x 4"

# Arbor Assemblies



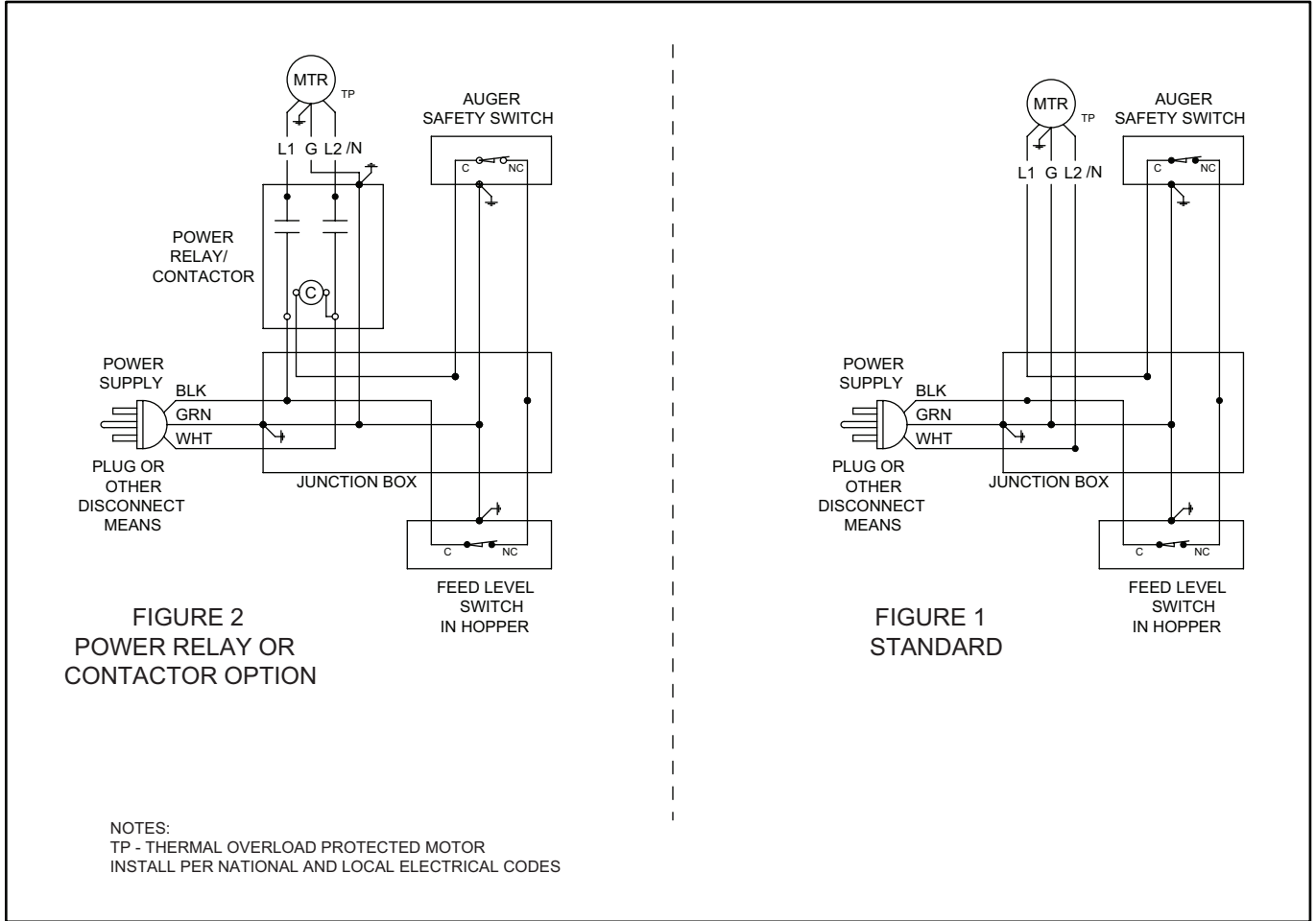
Item	Part No.	Description
1	25-03-1381	Tube Restrictor
2	25-03-1055	Anchor Body Weldment
3	25-03-1051	Anchor Spindle
4	99-10-1096	Set Screw, 5/16-18 x 1/2"
5	99-10-0142	Hex Bolt, 1/4-20 x 5/8"
6	25-16-1107	Bronze Bearing Assy w/Zerk
7	99-50-0374	Set Collar, 5/8"
8	99-20-0134	Hex Nut, 1/4-20 Nylock
9	25-16-2068	Bearing Cap
10	25-16-1113	Anchor Shaft
11	99-50-0231	Roll Pin, 3/16" x 1-3/4"

Item	Part No.	Description
12	25-03-1371	Tube, 1.375" O.D. x 22"
13	25-03-1065	Anchor Body Weldment
14	99-50-1117	Clevis Pin
15	25-03-1051	Anchor Spindle
16	99-10-1096	Set Screw, 5/16-18 x 1/2"
17	25-03-1372	Arbor Shaft
18	15-03-1302	Locking Collar
19	99-50-0023	Cotter Pin, 3/64" x 3/4"
20	99-50-0231	Roll Pin
21	25-16-1202	Arbor Assm., 3-1/2" w/zerk, Bronze Bushing Style
22	25-03-1430	Arbor Assm., Universal

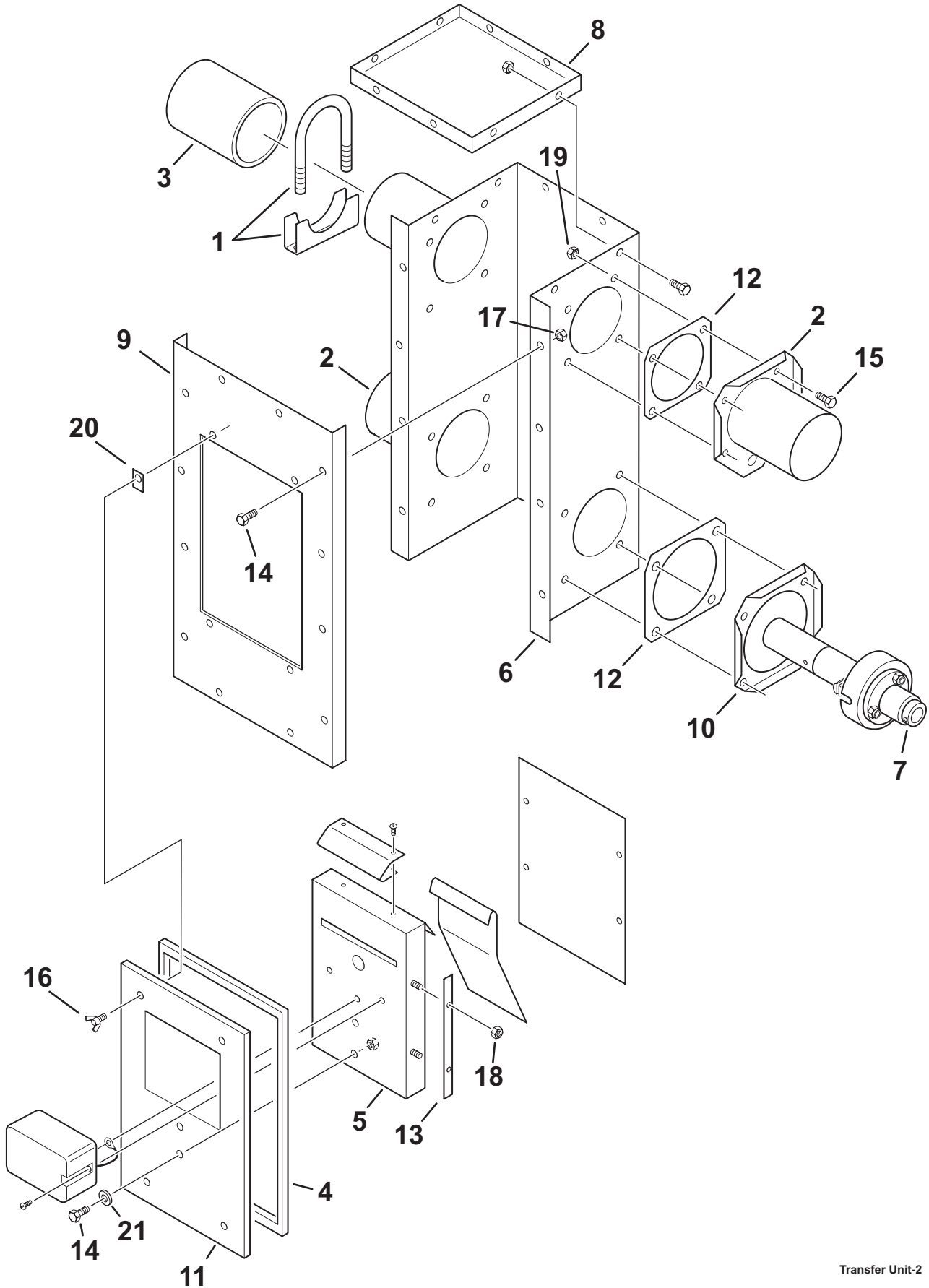


# Wiring Diagram-Auger Fill (25-03-0138)

## 1 PH 115/230V, Typical

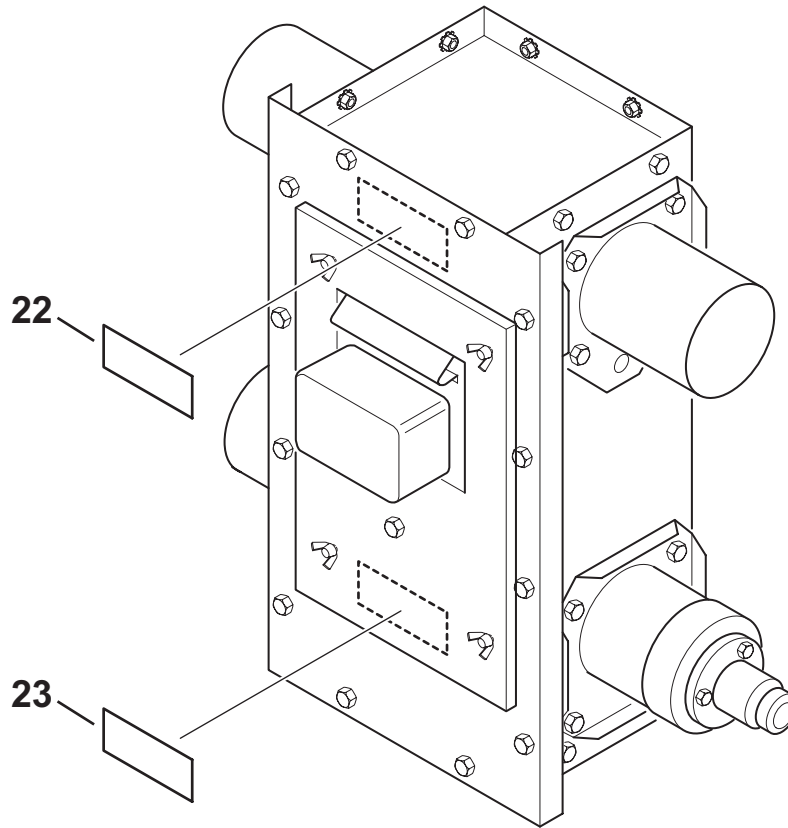


# In-Line Transfer Assembly (25-03-1170)



Transfer Unit-2

# Replacement Parts (25-03-1170)



Item	Part No	Description
1	25-00-2533	Tube Clamp, 3-1/2"
2	25-00-2730	Tube Anchor Plate Assy
3	25-03-1014	Coupler Adapter
4	25-03-1308	Foam Seal 1/2" Strip
5	25-03-1184	Shut-off Switch
6	25-03-1171	Transfer Body, Intermediate
7	25-03-1708	Arbor Assy, Trans Unit, 3-1/2"
8	25-03-1173	Transfer Unit Cover
9	25-03-1174	Switch Cover Mount
10	25-00-2739	Anchor Plate, 3-1/2"
11	25-03-1178	Mounting Plate Service
12	25-04-0174	Gasket, Closed Cell
13	86-00-3876	Clamp Plate
14	99-10-0206	Hex Bolt, 1/4-20 x 1/2"
15	99-10-0278	Hex Bolt, 5/16-18 x 5/8"
16	99-10-0110	Wing Bolt, 1/4-20 x 1/2"
17	99-20-0047	Kep Lock Nut, 1/4-20
18	99-20-0089	Kep Lock Nut, 10-24
19	99-20-0100	Kep Nut, 5/16-18
20	99-20-0112	U, Tin Nut, 1/4"
21	99-21-0003	Washer, 1/4"

Item	Part No.	Description
22	00-00-0440	Decal, Big D., 5.0" x 1.25"
23	00-00-0222	Decal, Caution, Eng/Span

# Index

Part No .....	Page No.
00-00-0222 .....	6,7,9,11,19
00-00-0229 .....	9
00-00-0272 .....	8
00-00-0440 .....	6,7,9,10,19
00-00-0442 .....	8
10-00-9613 .....	4
11-00-1028 .....	5
11-00-1053 .....	4
11-00-1121 .....	8
11-00-1122 .....	8
11-00-9316A .....	6
11-00-9364 .....	4
11-00-9375 .....	6
11-07-1102 .....	8
15-00-1027 .....	6,7,9
15-03-1302 .....	16
25-00-2125 .....	10,11,13
25-00-2128 .....	10,11,13
25-00-2130 .....	13
25-00-2155 .....	10,12
25-00-2159 .....	10,11
25-00-2533 .....	10,12,19
25-00-2730 .....	19
25-00-2739 .....	19
25-02-1302 .....	15
25-03-0138 .....	17
25-03-0142 .....	8
25-03-0146 .....	8
25-03-0147 .....	8
25-03-1014 .....	19
25-03-1051 .....	6,7,9,16
25-03-1055 .....	6,7,16
25-03-1065 .....	9,16
25-03-1102 .....	6,7,9
25-03-1104 .....	8
25-03-1170 .....	1,18,19
25-03-1171 .....	19

25-03-1173 .....	19
25-03-1174 .....	19
25-03-1178 .....	19
25-03-1184 .....	7,9,19
25-03-1185 .....	6
25-03-1308 .....	14,19
25-03-1309 .....	14
25-03-1371 .....	16
25-03-1372 .....	16
25-03-1381 .....	16
25-03-1401 .....	15
25-03-1410 .....	15
25-03-1430 .....	15,16
25-03-1708 .....	19
25-04-0174 .....	19
25-05-0006 .....	1,4,5
25-05-0150 .....	1,4,5
25-05-1120 .....	6,7,9
25-05-1123 .....	7,9
25-05-1144 .....	6
25-05-1211 .....	1,8
25-05-1306 .....	15
25-05-1600 .....	1,4,5
25-05-1606 .....	1,4,5
25-05-1607 .....	1,4,5
25-05-1608 .....	1,4,5
25-05-1609 .....	1,4,5
25-05-1624 .....	1,4,5
25-05-1626 .....	1,4,5
25-05-1658 .....	1,4,5
25-05-1713 .....	1,4,5
25-05-1714 .....	1,4,5
25-05-1715 .....	1,4,5
25-05-1716 .....	1,4,5
25-05-1717 .....	1,4,5
25-05-1718 .....	1,4,5
25-05-1721 .....	1,4,5
25-05-1761 .....	1,4,5
25-05-1762 .....	1,4,5
25-15-1275 .....	12

25-16-0997 .....	10
25-16-0998 .....	10
25-16-1003 .....	10,11
25-16-1107 .....	16
25-16-1113 .....	16
25-16-1200 .....	1,10
25-16-1202 .....	10,12,16
25-16-1225 .....	1,12
25-16-1226 .....	12
25-16-1235 .....	1,12
25-16-1250 .....	1,10
25-16-1275 .....	12
25-16-2053 .....	10,12
25-16-2068 .....	16
25-16-2155 .....	10,11
25-16-2156 .....	10,11
25-16-2157 .....	10,11
25-16-2159 .....	10,11
36-00-0111 .....	6,7,8,15
86-00-0037 .....	13
86-00-0038 .....	13
86-00-0096 .....	1
86-00-0205 .....	4
86-00-0210 .....	1,8
86-00-0242 .....	5
86-00-2661 .....	6,7
86-00-3876 .....	19
90-00-0366 .....	5
90-00-0418 .....	5
90-00-0450 .....	5
90-00-0461 .....	5
90-00-0462 .....	5
90-00-0525 .....	5
90-00-1072 .....	5
90-00-9069 .....	5
90-00-9132 .....	5
91-00-0675 .....	6
99-10-0094 .....	6,7,9
99-10-0109 .....	5
99-10-0110 .....	6,7,9,15,19

99-10-0118	8
99-10-0137	9
99-10-0142	16
99-10-0154	8
99-10-0183	8
99-10-0206	14,15,19
99-10-0261	15
99-10-0278	5,6,7,19
99-10-0283	14
99-10-0288	9,14
99-10-0449	8
99-10-0536	10
99-10-0874	8
99-10-1096	6,7,9,16
99-10-1115	8
99-20-0041	10,11
99-20-0047	9,19
99-20-0054	5,6,7
99-20-0089	6,7,9,19
99-20-0097	15
99-20-0100	8,9,14,19
99-20-0111	8,15
99-20-0112	19
99-20-0134	16
99-20-0336	6,7,9,14
99-20-0404	8
99-20-1012	8
99-21-0003	8,14,15,19
99-50-0020	8
99-50-0023	6,9,16
99-50-0097	8
99-50-0174	8
99-50-0231	16
99-50-0338	5
99-50-0374	16
99-50-0667	8,15
99-50-0980	8,15
99-50-0981	8
99-50-1006	8
99-50-1077	8

---

99-50-1105 .....	8
99-50-1117 .....	6,7,9,16
99-50-1138 .....	9,14
99-50-1218 .....	6,7
99-50-1365 .....	6,7,9
99-54-0047 .....	8





## Big Dutchman, Inc. Limited Warranty

Big Dutchman, Inc. (“**Big Dutchman**”) warrants to original purchaser (“**Buyer**”) that goods manufactured solely by Big Dutchman (“**Products**”) will be free from defects in material or workmanship under normal and intended use and service for a period of one year from delivery date of the Products except that the Products shall not be defective to the extent that (i) they conform with drawings of or specifications for or a sample of goods that have been approved by Buyer; (ii) they conform with goods, testing results, dimensional layouts or manufacturing methods that have been submitted and approved by Buyer; (iii) they are damaged due to the method or length of storage by Buyer; or (iv) to the extent they conform to the specifications as changed or waived if Buyer’s representative agrees, either orally or in writing, to the change in or waiver of the specifications for any Product.

In the event of a defect in any Products constituting a breach of the warranty provided herein, Big Dutchman will at its option either (i) repair or replace such Product free of charge, or (ii) in lieu of repair or replacement, refund to Buyer the original purchase price less the reasonable value of Buyer’s use of the Products. Big Dutchman shall furnish to Buyer instructions for the disposition of the defective goods. Big Dutchman shall have the option of requiring the return of the defective goods, transportation prepaid, and proof that the goods were not used, installed or altered or subject to misuse or abuse to establish the claim. No goods shall be returned to Big Dutchman without its prior consent. The acceptance of any goods returned to Big Dutchman shall not be deemed an admission that the goods are defective or in breach of any warranty, and if Big Dutchman determines that the goods are not defective they may be returned to Buyer at Buyer’s expense. This warranty sets forth Buyer’s sole and exclusive remedies for any defect in the goods. The rights and obligation under this warranty may not be assigned or delegated to a third party by Buyer without the prior written permission of Big Dutchman. Neither Buyer nor any other person may modify or expand the warranty provided herein, waive any of the limitations, or make any different or additional warranties with respect to the Products. Any statements to the contrary are hereby rendered null and void unless expressly agreed to in writing by an authorized officer of Big Dutchman.

EXCEPT AS STATED IN ABOVE, BIG DUTCHMAN DOES NOT MAKE ANY WARRANTY AS TO THE GOODS OR SERVICES AND, IN PARTICULAR, DOES NOT MAKE ANY WARRANTY OF MERCHANTABILITY OR FITNESS FOR ANY PARTICULAR PURPOSE, AND BUYER IS SOLELY RESPONSIBLE FOR DETERMINING THE PROPER APPLICATION AND USE OF THE GOODS.

Big Dutchman makes no representation or warranty that individual animals, or any given population of animals, will utilize any of Big Dutchman’s goods in the manner for which the goods were intended or designated. Any component parts that are not manufactured by Big Dutchman, such as electrical motors and controls, are excluded from any warrant by Big Dutchman, although such parts may be covered by separate warranties of the respective manufacturers. This warranty set forth above does not apply if all components of a system are not supplied by Big Dutchman or if the goods are not purchased from and installed by an authorized distributor or company warehouse, or installed and operated in accordance with Big Dutchman’s specifications and instructions.

BIG DUTCHMAN SHALL NOT HAVE ANY TORT LIABILITY TO BUYER OR ANY OTHER PERSON WITH RESPECT TO ANY OF THE GOODS OR SERVICES AND SHALL NOT BE LIABLE FOR CONSEQUENTIAL, INCIDENTAL, SPECIAL, EXEMPLARY, INDIRECT OR PUNITIVE DAMAGES ARISING FROM ANY PRODUCT DEFECT, DELAY, NONDELIVERY, RECALL OR OTHER BREACH. BUYER SHALL NOT HAVE ANY RIGHT OF REJECTION OR OF REVOCATION OF ACCEPTANCE OF THE GOODS.



**Big Dutchman**

**Germany**  
P.O. Box 11 63 • D-49360 Vechta • Germany  
tel +49 (0) 44 47 801 0 • fax +49 (0) 44 47 801 237  
www.bigdutchman.com • big@bigdutchman.de

**Asia-Pacific**  
No. 25 Jalan Pemberita (U1/49), Temasya Industrial Park  
40150 Shah Alam • Selangor Darul Ehsan • Malaysia  
tel +603 5569 2320 • fax +603 5569 5930  
bdasia@bda.com.my

**USA**  
P.O. Box 1017 • Holland, MI 49422-1017 • USA  
tel +1 616 392 5981 • fax +1 616 392 6188  
www.bigdutchman.com • bigd@bigdutchmanusa.com

**Brazil**  
Caixa Postal 84 • Rua Victorio Milani, 125  
Caxias do Sul, RS 95095-107 • Brasil  
tel +55 (0) 54 226 2200 • fax +55 (0) 54 226 1424  
www.bigdutchman.com.br • bigdutchmanbrasil@bigdutchman.com.br