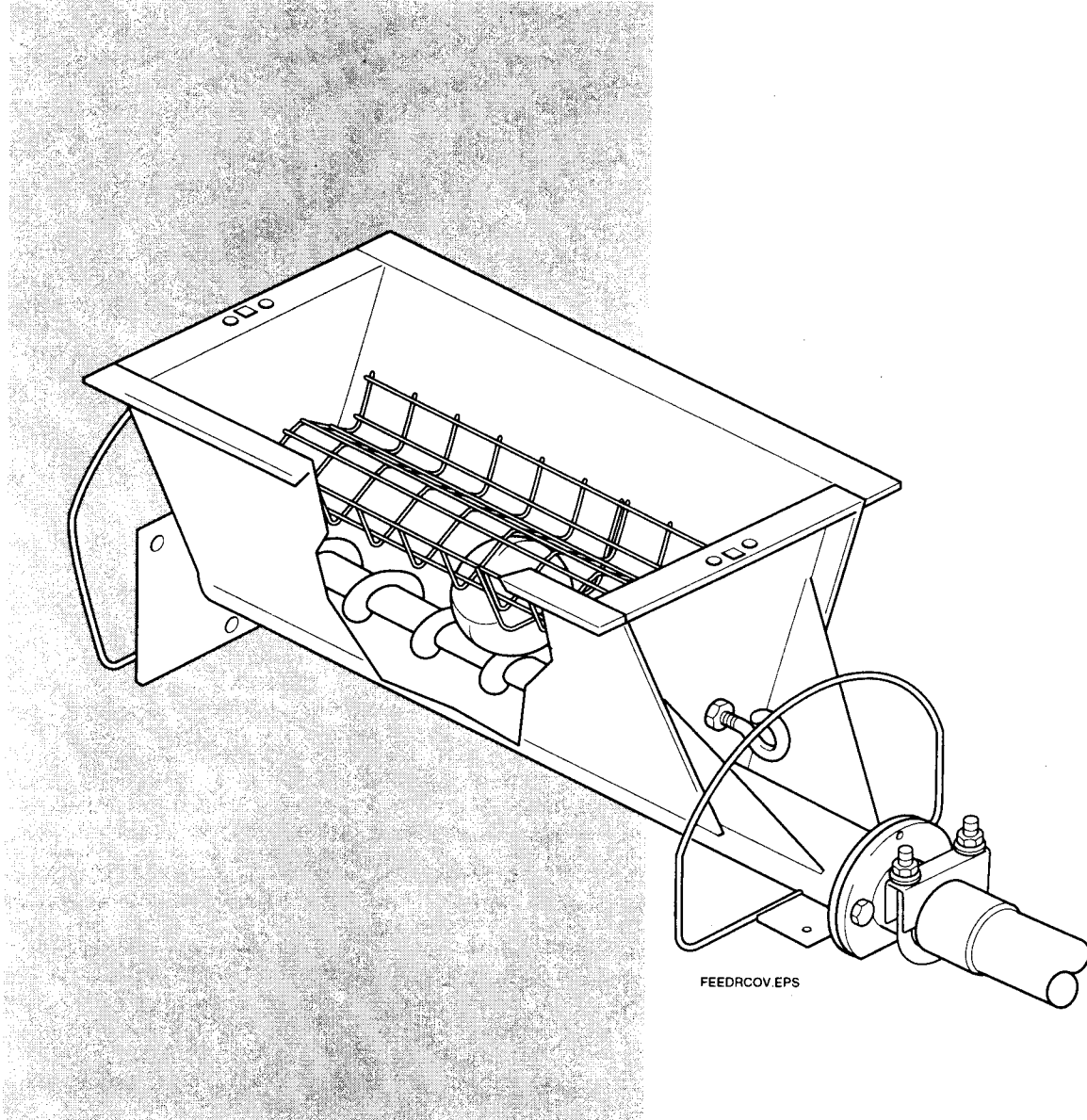


# Auger Feeders

Inst. #11-00-0521

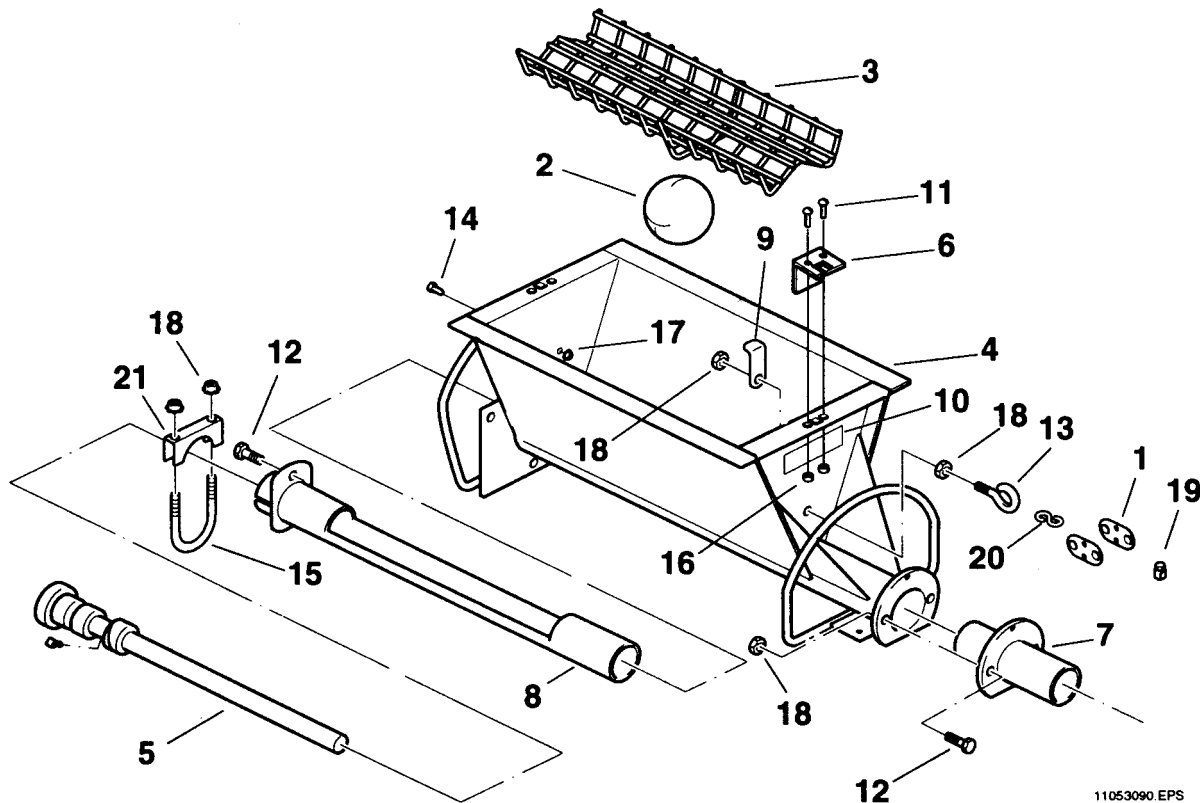


*1-Way Feeder*  
*2-Way Feeder*



**Big Dutchman®**

# 1-Way Feeder, 11-05-3090

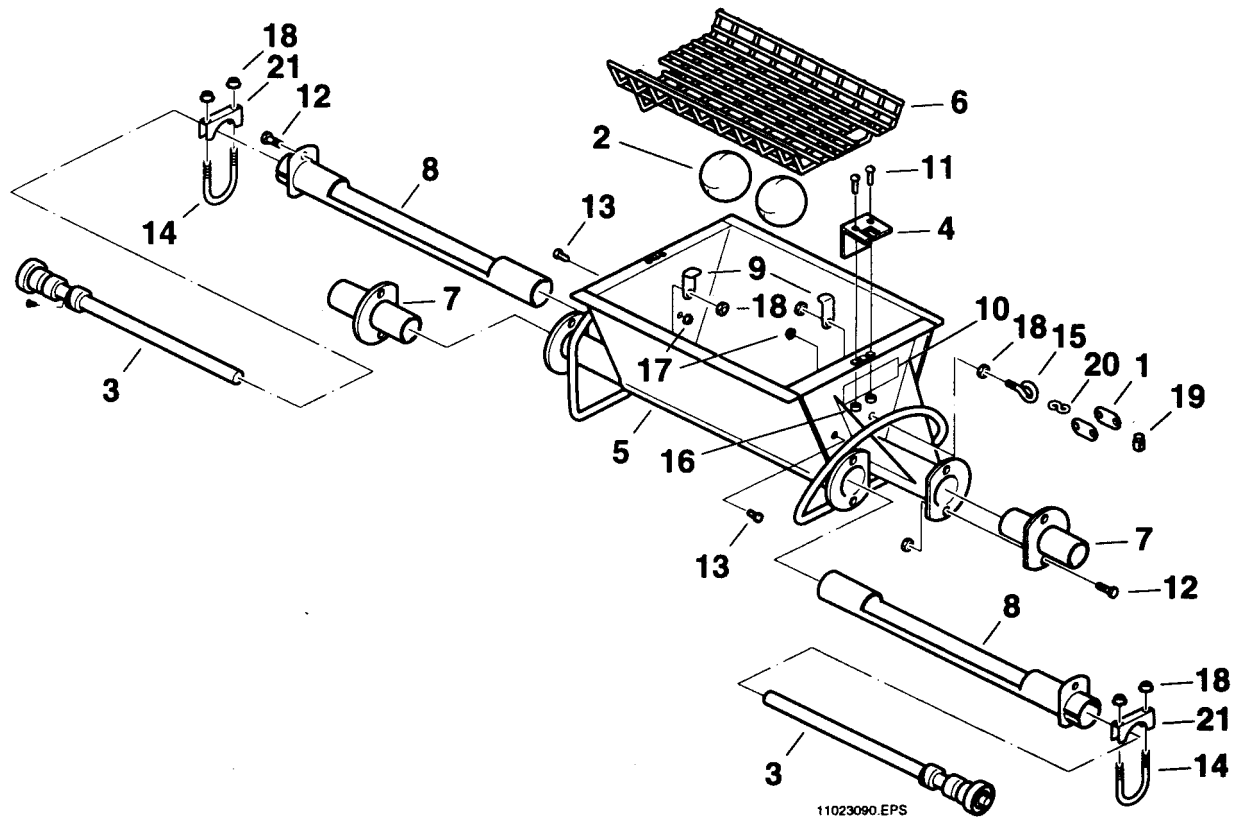


11053090.EPS

## PARTS LIST

PART NO.	ITEM NO.	DESCRIPTION	QTY
11-00-1007	1	Cable Lock	2
11-00-1023	2	Hardwood Ball, 3" dia.	1
11-00-1035	3	Safety Grill	1
11-00-3010	4	1-Way Feeder Body	1
11-01-1130	5	Arbor Shaft Assembly	1
11-02-2146	6	Cable Retainer Bracket	2
11-04-1030	7	Swivel Tube	1
11-04-1040	8	Insert Tube	1
11-04-1102	9	Screen Retainer Bracket	1
11-29-0887	10	Instruction Decal	1
99-10-0094	11	Round Head Bolt, 1/4-20x1/2"	4
99-10-0183	12	Hex Bolt 5/16-18 x 3/4"	4
99-10-1019	13	Eye Bolt, 5/16-18x1"	1
99-10-0120	14	Truss Bolt, 10-24 x 1/2"	1
99-10-1014	15	U Bolt, 1-3/4"	1
99-20-0047	16	Kep Nut, 1/4-20	4
99-20-0089	17	Kep Nut, 10-24	1
99-20-0100	18	Kep Nut, 5/16-18	7
99-50-0287	19	Anti-Roost Cable Clamp	2
99-50-0325	20	"S" Hook, 1-1/4"	2
99-50-1035	21	U-Style Clamp Bracket 1-3/4"	1

# 2-Way Feeder, 11-02-3090



## PARTS LIST

PART NO.	ITEM NO.	DESCRIPTION	QTY
11-00-1007	1	Cable Lock	4
11-00-1023	2	Hardwood Ball, 3" dia.	2
11-01-1130	3	Arbor Shaft Assembly	2
11-02-2146	4	Cable Retainer Bracket	2
11-02-3010	5	2-Way Feeder Body	1
11-02-3091	6	Safety Grille	1
11-04-1030	7	Swivel Tube	2
11-04-1040	8	Insert Tube	2
11-04-1102	9	Screen Retainer Bracket	2
11-29-0887	10	Instruction Decal	1
99-10-0094	11	Round Bolt, 1/4-20x1/2"	4
99-10-0183	12	Hex Bolt, 5/16-18 x 3/4"	6
99-10-0120	13	Truss Bolt, 10-24x1/2"	2
99-10-1014	14	U Bolt, 1-3/4"	2
99-10-1019	15	Eye Bolt, 5/16-18 x 1 "	2
99-20-0047	16	Kep Nut, 1/4-20	4
99-20-0089	17	Kep Nut, 10-24	2
99-20-0100	18	Kep Nut, 5/16-18	14
99-50-0287	19	Anti-Roost Cable Clamp	2
99-50-0325	20	S Hook, 1-1/4"	4
99-50-1035	21	U-Style Clamp Bracket, 1-3/4"	2

## Big Dutchman, Inc. Limited Warranty

1. Big Dutchman warrants to the original purchaser that as to any product of its manufacture proving to be defective in material or workmanship under normal and intended use and service within one year from date of purchase thereof Big Dutchman will, at its option, (a) repair or replace such product free of charge, or (b) in lieu of repair or replacement, refund to the original purchaser the original purchase price less the reasonable value of the product's use to the original purchaser.
2. Any component parts that are not manufactured by Big Dutchman, such as electrical motors and controls, are excluded from this warranty, although such parts may be covered by separate warranties of the respective manufacturers. Copies of those other warranties, if any, may be obtained through Big Dutchman.
3. This warranty does not apply if all components of a system are not supplied by Big Dutchman, or if the product is not purchased from and installed by an authorized Big Dutchman distributor or company warehouse, or installed and operated in accordance with Big Dutchman specifications and instructions.
4. This warranty does not cover malfunctions or failures resulting from misuse, abuse, negligence, alterations, unauthorized or improper repairs, accident, damage while in transit, or lack of authorized or proper maintenance or installation. In addition, this warranty does not cover normal wear and tear or any problem with a product not caused by a defect in Big Dutchman materials or workmanship.
5. The obligations of Big Dutchman under this warranty do not include shipping charges, labor (whether for dismantling, installing, replacing or repairing), travel and subsistence allowance.
6. This warranty applies only to systems for the care of poultry and livestock. It does not apply to industrial or commercial installation. In addition, with respect to Big Dutchman's breeder nest system, Big Dutchman makes no warranty or guarantee that individual birds or any given population of birds will utilize the nests.
7. Warranty claims must be made in writing to Big Dutchman within 20 days of discovery and In accordance with Big Dutchman's published return-goods procedures, a copy of which may be obtained from Big Dutchman. For this warranty to apply, the product must be returned to a facility specified by Big Dutchman, freight prepaid and insured with proof of original purchase and date.
8. The acceptance by Big Dutchman of any product for repair, replacement or refund will not be deemed an admission by Big Dutchman that the product is defective or in violation of any warranty. Products that are replaced or for which a refund is issued become the property of Big Dutchman.
9. The rights and obligations of the purchaser under this warranty may neither be assigned nor delegated without the prior written permission of an authorized officer of Big Dutchman.
10. This warranty contains the entire warranty agreement between Big Dutchman and the purchaser, and the terms and conditions of this warranty supersede any and all other understandings, representations or proposals between Big Dutchman and the purchaser with respect to the matters covered by this warranty. This warranty shall not be modified by any custom or practice of the trade or of the parties, nor by any instances of Big Dutchman's waiver of or failure to enforce any of the provisions of this warranty.
11. This warranty may be modified or amended only in writing signed by both the purchaser and an authorized officer of Big Dutchman, and no other agent, employee, salesman, representative, dealer or distributor is authorized to make or to bind Big Dutchman to any representation, affirmation or warranty concerning the products in any manner whatsoever.
12. If Big Dutchman fails to fulfill its obligations in this warranty, or if Big Dutchman is determined to be liable to the purchaser or any other person for any reason related to any product covered by this warranty or the sale of that product, the maximum amount of damages, whether arising out of tort, contract, negligence or otherwise, recoverable from Big Dutchman by the purchaser shall be limited to the purchase price of the product with respect to which Big Dutchman's obligations or liability arises, less the reasonable value of the product's use to the purchaser.
13. THE OBLIGATIONS AND LIABILITIES OF BIG DUTCHMAN AND THE RIGHTS AND REMEDIES OF THE PURCHASER UNDER THIS WARRANTY ARE EXCLUSIVE AND IN LIEU OF ALL OTHER WARRANTIES, GUARANTEES, OBLIGATIONS, LIABILITIES, RIGHTS AND REMEDIES, EXPRESSED OR IMPLIED, ARISING BY LAW OR OTHERWISE, INCLUDING BUT NOT LIMITED TO THE IMPLIED WARRANTY OF MERCHANTABILITY, THE IMPLIED WARRANTY OF FITNESS FOR A PARTICULAR PURPOSE, AND ANY IMPLIED OR EXPRESSED WARRANTY ARISING FROM THE COURSE OF PERFORMANCE, COURSE OF DEALING OR USAGE OR TRADE. BIG DUTCHMAN SHALL HAVE NO OBLIGATION OR LIABILITY, WHETHER UNDER THIS WARRANTY OR OTHERWISE, FOR INCIDENTAL, CONSEQUENTIAL OR SPECIAL DAMAGES, LOST PROFITS, REVENUE OR OTHER INCOME, LOSS OF USE, DAMAGES FOR INJURY TO PERSONS OR PROPERTY, OR ANY OTHER DAMAGES.
14. Some states do not allow limitations on how long an implied warranty lasts or the exclusion or limitation of incidental or consequential damages, so the above limitations and exclusions may not apply to each purchaser. This warranty gives the purchaser specific legal rights, and the purchaser may have other rights that vary from state to state.



**Big Dutchman**

**Germany**

P.O. Box 11 63 · D-49360 Vechta · Germany  
tel +49 (0) 44 47 801 118 · fax +49 (0) 44 47 801 5118  
www.bigdutchman.de · big@bigdutchman.de

**USA**

P.O. Box 1017 · Holland, MI 49422-1017 · USA  
tel +1 616 392 5981 · fax +1 616 392 6188  
www.bigdutchmanusa.com · bigd@bigdutchmanusa.com

**Asia-Pacific**

No. 6B & 6C, Jalan SS 21/62, Damansara Utama  
47400 Petaling Jaya · Selangor Darul Ehsan · Malaysia  
tel +603 719 0722 · fax +603 719 6543  
bdasia@bda.com.my