

# Champion®

---

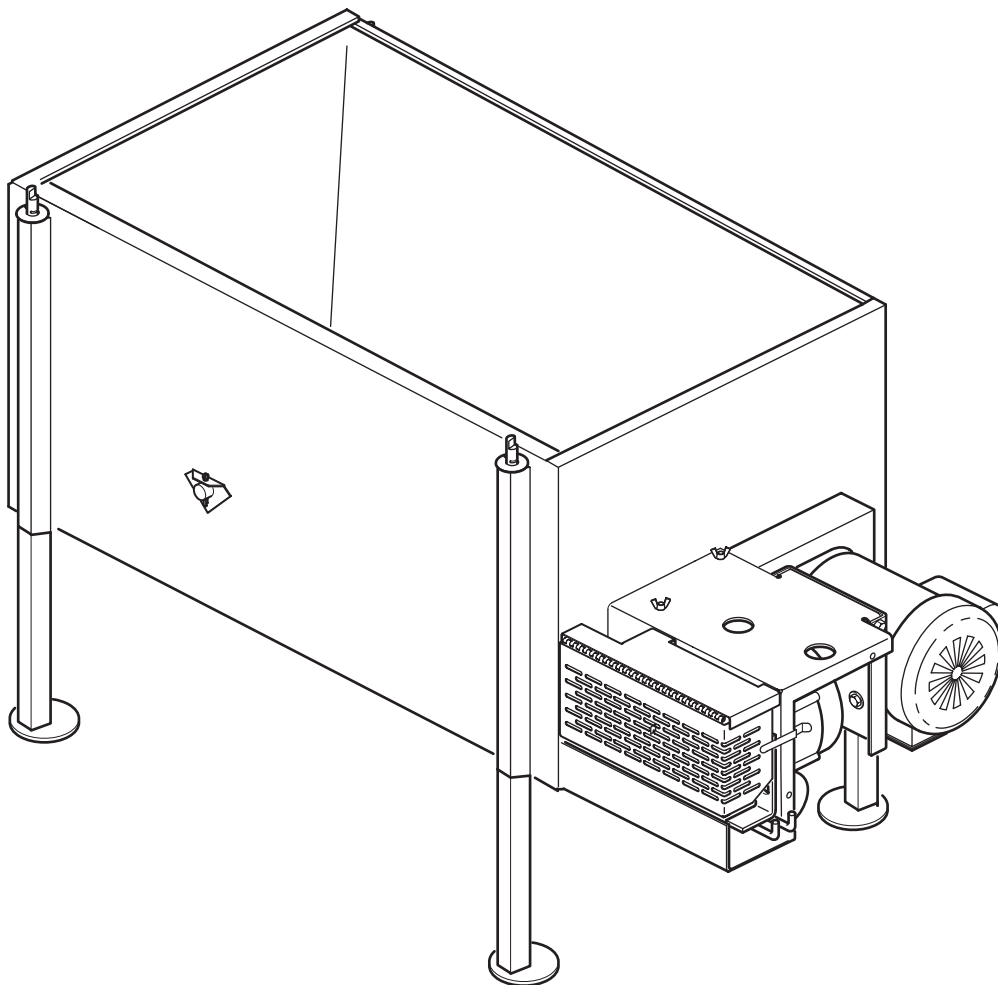
## Floor Chain Feeder

1-Line Replacement Parts

Instr. #10-26-0003 10/04

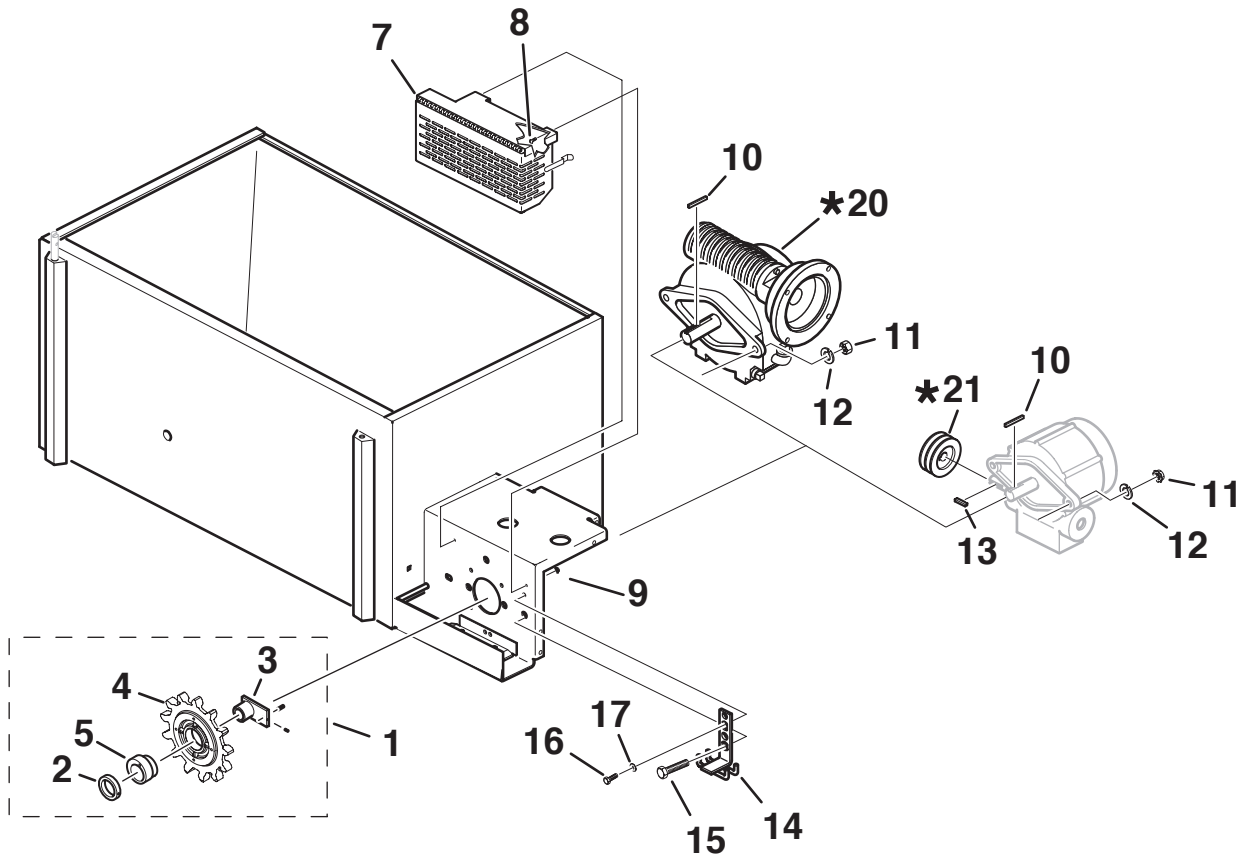
For the following models:

Belt Drive, 120 fpm, 60Hz, 1725 rpm, 10-01-5300  
Belt Drive, 120 fpm, 50Hz, 1425 rpm, 10-01-5301  
Belt Drive, 20/40 fpm, 60Hz, 1725 rpm, 10-01-5340  
Belt Drive, 60 fpm, 60Hz, 1725 rpm, 10-01-5360  
Belt Drive, 60 fpm, 50Hz, 1425 rpm, 10-01-7360  
Direct Drive, 60/120 fpm, 60Hz, 10-01-5400  
Auxiliary Hopper, 10-01-5121



**Big Dutchman.**

---

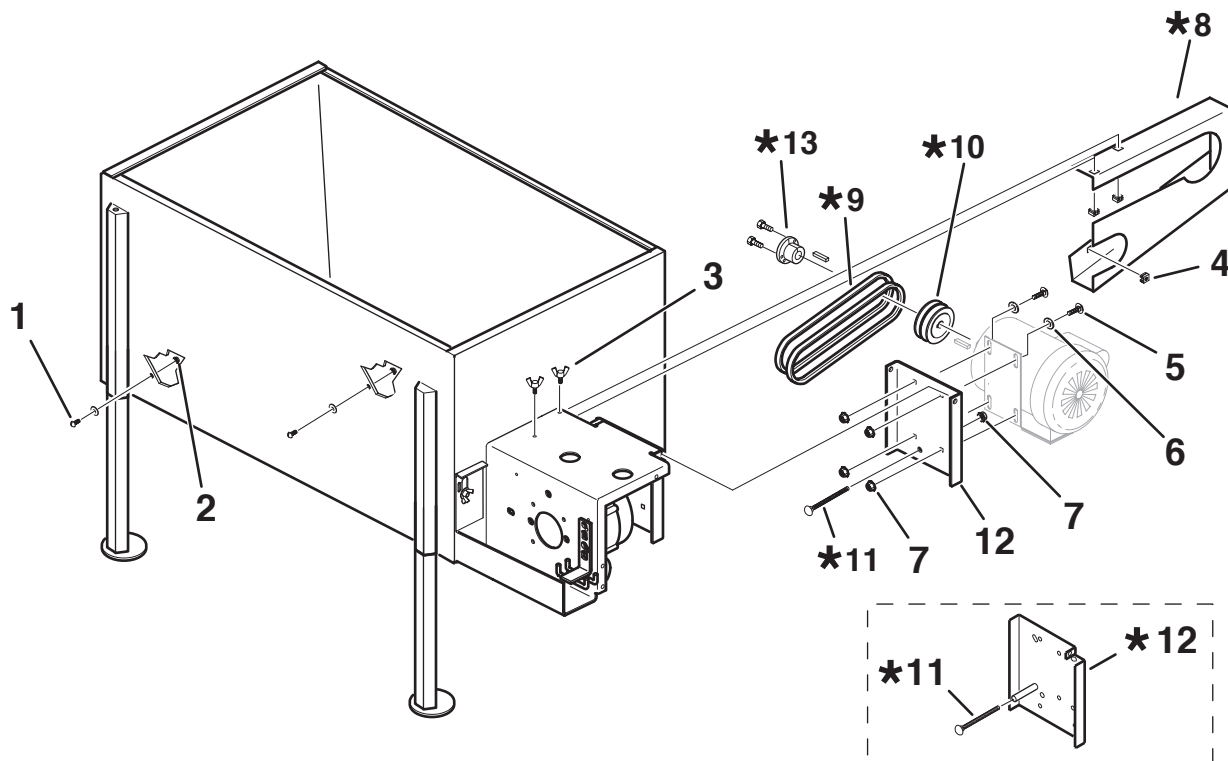


Model	Desc.	* 20 Reducer	* 21 Sheave
10-01-5300	120 fpm/60Hz	10-00-0371	99-53-0042
10-01-5301	120 fpm/50Hz	10-00-0371	99-53-0042
10-01-5340	20/40 fpm/60 Hz	10-00-0266	99-53-0005
10-01-5360	60 fpm/60Hz	10-00-0284	99-53-0007
10-01-5400	60/120 fpm/60 Hz	10-00-0376	N/A
10-01-7360	60 fpm/50Hz	10-00-0284	99-53-0007

Item#	Part#	Description
1	10-03-2027	Sprocket, Drive Assembly
2	10-00-9061	Collar, F/Eccentric Hub
3	10-00-9600	Hub, Shear Pin Sprocket
4	10-00-9543G	Sprocket
5	10-00-9544	Eccentric Hub
6	99-50-0988	Pin, Spirol 3/16 x 1 1/2 in.
7	10-CE-4032	Guard, Drive Sprocket
8	99-10-0118	Screw, Machine 10-24 x 3/8 in.
9	99-20-0089	Nut, 10-24 Kep Lock

Item#	Part#	Description
10	99-50-0019	Square Key, 1/4 x 1 7/8 in.
11	99-20-0105	Hex Nut, 1/2-13
12	99-20-0090	Washer, Split-Lock 1/2 in.
13	99-50-0020	Key, Square .187 x 1 1/4 in.
14	10-00-1025	Chain Stripper
15	99-10-0733	Bolt, 1/2-13 x 2.0 in.
16	99-10-0183	Bolt, 10-24 x 1/2 in.
17	99-10-0111	Washer, 5/16 in.

02.Floor Feeder

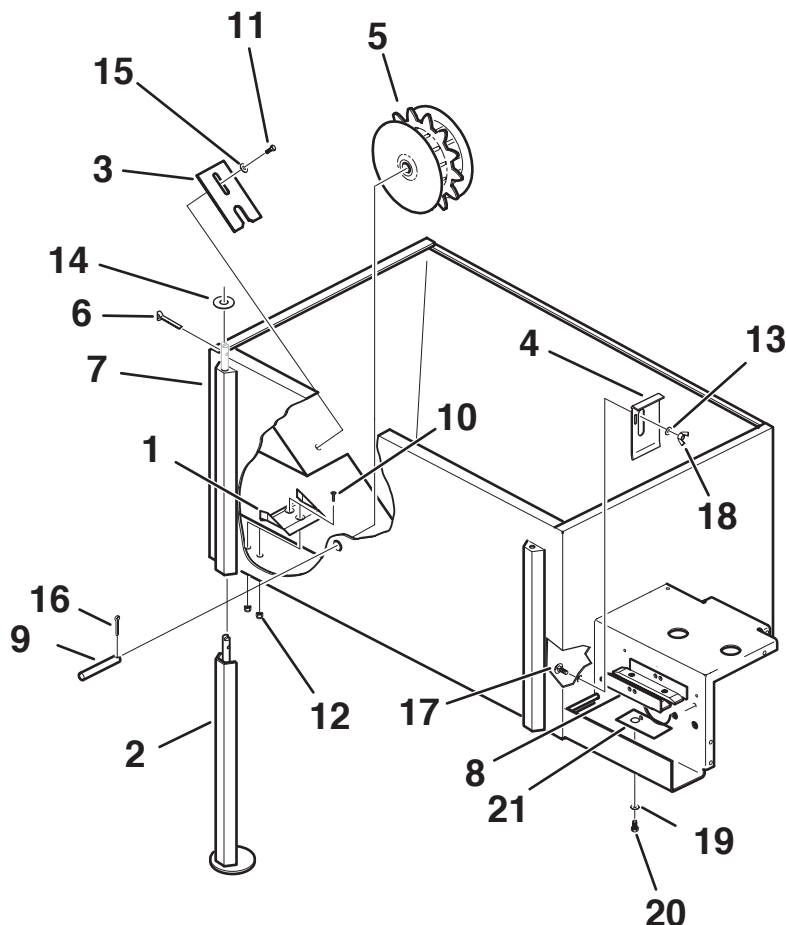


Model	Desc.	* 8 Guard	* 9 Belt	* 10 Sheave	* 11 Bolt	* 12 Plate
10-01-5300	120 fpm/60Hz	10-CB-5603	99-50-0113	99-53-0084	99-10-0445	10-CE-2002
10-01-5301	120 fpm/50Hz	10-01-0141	99-50-0097	customer	99-10-0971	10-01-0137
10-01-5340	20/40 fpm/60 Hz	10-CB-5603	99-54-0005	99-53-0005	99-10-0445	10-CE-2002
10-01-5360	60 fpm/60Hz	10-CB-5603	99-54-0023	99-53-0007	99-10-0445	10-CE-2002
10-01-5400	60/120 fpm/60 Hz	N/A	N/A	N/A	N/A	N/A
10-01-7360	60 fpm/50Hz	10-CB-5603	99-54-0021	99-53-0007	99-10-0445	10-CE-2002

Item#	Part#	Description
1	99-10-0373	Machine Screw, 1/4-20 x 1/2 in.
2	99-20-0047	Nut, 1/4-20 Lock Nut
3	99-10-0110	Wing Bolt, 1/4-20 x 1/2 in.
4	99-20-0224	Nut, 1/4-20
5	99-10-0154	Bolt, 5/16-18 x 1.0 in.
6	99-20-0111	Washer, 5/16 in.
7	99-20-0100	Nut, 5/16 in.
*13	99-53-0086	Bushing, 7/8 in. (depends on motor)
*13	99-53-0087	Bushing, 1 1/8 in. (depends on motor)

03.Floor Feeder

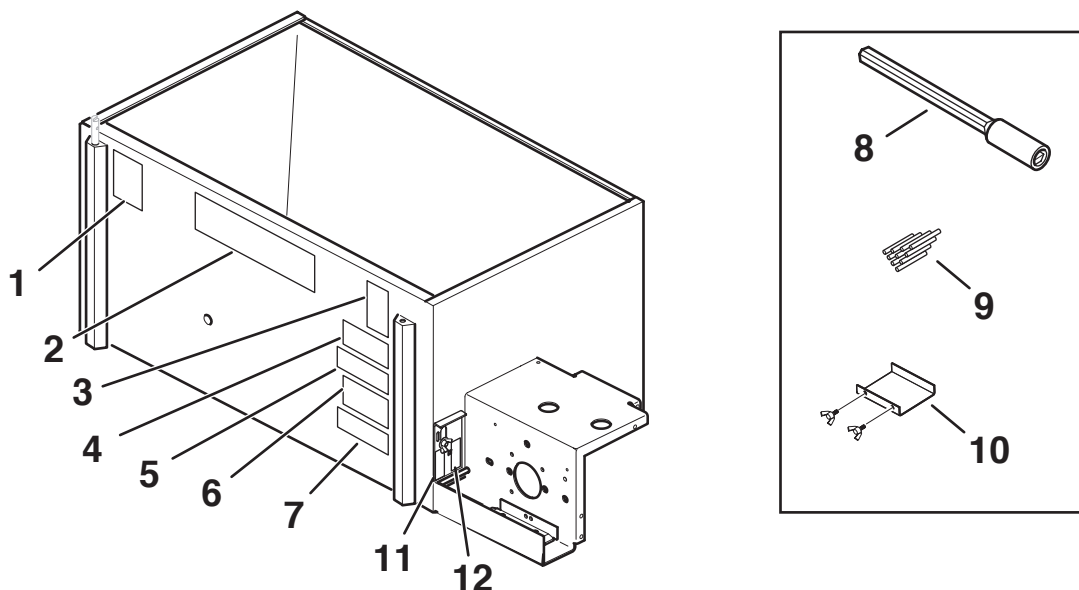
# Common Parts, Belt and Direct Drive



Item#	Part#	Description	Item#	Part#	Description
1	10-00-0135	Chain Guide	13	99-20-0111	Washer, 5/16 in.
2	10-00-0148	Leg Assy, with Threads	14	99-20-0128	Washer, 1/2 in.
3	10-04-1005	Slide, F/Feed Return Wheel	15	99-21-0003	Washer, 1/4 in.
4	10-00-0196	Slide, Feed, 1 Line	16	99-50-0868	Cotter Pin, 1/8 x 1 1/4 in.
5	10-00-0197	Wheel, Feed Return, Champ	17	99-10-1520	Bolt, 5/16-18 x 3/4 in.
6	99-50-1375	Cotter Pin, 1/8 x 3/4 in.	18	99-20-0041	Nut, 5/16-18 Wing Nut
7	10-01-1000	Body, Hopper	19	99-20-0111	Washer, 5/16 in.
8	10-00-0337	Shoe, Power, Reg, Champ Chain	20	99-10-0261	Bolt, 3/8-16 x 5/8 in.
9	10-22-0006	Shaft, F. Feeder/ Intake	21	10-00-0621	Shim Plate, Pwr Shoe 10 Ga.
10	99-10-1133	Screw, 1/4-20 x .63 Flat Allen	21	10-00-0622	Shim Plate, Pwr Shoe 14 Ga.
11	99-10-0206	Bolt, 1/4-20 x 1/2 in.	21	10-00-0623	Shim Plate, Pwr Shoe 18 Ga.
12	99-20-0134	Nut, 1/4-20 Hex Lock, Nylock	21	10-00-0624	Shim Plate, Pwr Shoe 22 Ga.

01.Floor Feeder

# Common Parts, Belt and Direct Drive



Item#	Part#	Description
1	00-00-0060	Decal, Patent
2	00-00-0442	Decal, Big D.
3	00-00-0289	Decal, Dir. of Chain
4	36-00-0119	Decal, Warning Guard
5	00-00-0436	Decal, Caution
6	00-00-0272	Decal, Instr., Belt Tighten
7	10-00-0239	Decal, Instr, Lub.
8	10-00-0391	Hopper Leg Crank
9	10-00-0068	Shear Pins, Package of 10
10	10-00-0063	Clean-out Cover
11	10-BK-0011	Decal, Direction Arrow
12	10-BK-0012	Decal, Feed Slide Guide

04.Floor Feeder

## Big Dutchman, Inc. Limited Warranty

1. Big Dutchman warrants to the original purchaser that as to any product of its manufacture proving to be defective in material or workmanship under normal and intended use and service within one year from date of purchase thereof Big Dutchman will, at its option, (a) repair or replace such product free of charge, or (b) in lieu of repair or replacement, refund to the original purchaser the original purchase price less the reasonable value of the product's use to the original purchaser.
2. Any component parts that are not manufactured by Big Dutchman, such as electrical motors and controls, are excluded from this warranty, although such parts may be covered by separate warranties of the respective manufacturers. Copies of those other warranties, if any, may be obtained through Big Dutchman.
3. This warranty does not apply if all components of a system are not supplied by Big Dutchman, or if the product is not purchased from and installed by an authorized Big Dutchman distributor or company warehouse, or installed and operated in accordance with Big Dutchman specifications and instructions.
4. This warranty does not cover malfunctions or failures resulting from misuse, abuse, negligence, alterations, unauthorized or improper repairs, accident, damage while in transit, or lack of authorized or proper maintenance or installation. In addition, this warranty does not cover normal wear and tear or any problem with a product not caused by a defect in Big Dutchman materials or workmanship.
5. The obligations of Big Dutchman under this warranty do not include shipping charges, labor (whether for dismantling, installing, replacing or repairing), travel and subsistence allowance.
6. This warranty applies only to systems for the care of poultry and livestock. It does not apply to industrial or commercial installation. In addition, with respect to Big Dutchman's breeder nest system, Big Dutchman makes no warranty or guarantee that individual birds or any given population of birds will utilize the nests.
7. Warranty claims must be made in writing to Big Dutchman within 20 days of discovery and in accordance with Big Dutchman's published return-goods procedures, a copy of which may be obtained from Big Dutchman. For this warranty to apply, the product must be returned to a facility specified by Big Dutchman, freight prepaid and insured with proof of original purchase and date.
8. The acceptance by Big Dutchman of any product for repair, replacement or refund will not be deemed an admission by Big Dutchman that the product is defective or in violation of any warranty. Products that are replaced or for which a refund is issued become the property of Big Dutchman.
9. The rights and obligations of the purchaser under this warranty may neither be assigned nor delegated without the prior written permission of an authorized officer of Big Dutchman.
10. This warranty contains the entire warranty agreement between Big Dutchman and the purchaser, and the terms and conditions of this warranty supersede any and all other understandings, representations or proposals between Big Dutchman and the purchaser with respect to the matters covered by this warranty. This warranty shall not be modified by any custom or practice of the trade or of the parties, nor by any instances of Big Dutchman's waiver of or failure to enforce any of the provisions of this warranty.
11. This warranty may be modified or amended only in writing signed by both the purchaser and an authorized officer of Big Dutchman, and no other agent, employee, salesman, representative, dealer or distributor is authorized to make or to bind Big Dutchman to any representation, affirmation or warranty concerning the products in any manner whatsoever.
12. If Big Dutchman fails to fulfill its obligations in this warranty, or if Big Dutchman is determined to be liable to the purchaser or any other person for any reason related to any product covered by this warranty or the sale of that product, the maximum amount of damages, whether arising out of tort, contract, negligence or otherwise, recoverable from Big Dutchman by the purchaser shall be limited to the purchase price of the product with respect to which Big Dutchman's obligations or liability arises, less the reasonable value of the product's use to the purchaser.
13. THE OBLIGATIONS AND LIABILITIES OF BIG DUTCHMAN AND THE RIGHTS AND REMEDIES OF THE PURCHASER UNDER THIS WARRANTY ARE EXCLUSIVE AND IN LIEU OF ALL OTHER WARRANTIES, GUARANTEES, OBLIGATIONS, LIABILITIES, RIGHTS AND REMEDIES, EXPRESSED OR IMPLIED, ARISING BY LAW OR OTHERWISE, INCLUDING BUT NOT LIMITED TO THE IMPLIED WARRANTY OF MERCHANTABILITY, THE IMPLIED WARRANTY OF FITNESS FOR A PARTICULAR PURPOSE, AND ANY IMPLIED OR EXPRESSED WARRANTY ARISING FROM THE COURSE OF PERFORMANCE, COURSE OF DEALING OR USAGE OR TRADE. BIG DUTCHMAN SHALL HAVE NO OBLIGATION OR LIABILITY, WHETHER UNDER THIS WARRANTY OR OTHERWISE, FOR INCIDENTAL, CONSEQUENTIAL OR SPECIAL DAMAGES, LOST PROFITS, REVENUE OR OTHER INCOME, LOSS OF USE, DAMAGES FOR INJURY TO PERSONS OR PROPERTY, OR ANY OTHER DAMAGES.
14. Some states do not allow limitations on how long an implied warranty lasts or the exclusion or limitation of incidental or consequential damages, so the above limitations and exclusions may not apply to each purchaser. This warranty gives the purchaser specific legal rights, and the purchaser may have other rights that vary from state to state.



**Big Dutchman**

**Germany**

P.O. Box 11 63 • D-49360 Vechta • Germany  
tel +49 (0) 44 47 801 0 • fax +49 (0) 44 47 801 237  
www.bigdutchman.com • big@bigdutchman.de

**Asia-Pacific**

No. 25 Jalan Pemberita (U1/49), Temasya Industrial Park  
40150 Shah Alam • Selangor Darul Ehsan • Malaysia  
tel +603 5569 2320 • fax +603 5569 5930  
bdasia@bda.com.my

**USA**

P.O. Box 1017 • Holland, MI 49422-1017 • USA  
tel +1 616 392 5981 • fax +1 616 392 6188  
www.bigdutchman.com • bigd@bigdutchmanusa.com

**Brazil**

Caixa Postal 84 • Rua Victorio Milani, 125  
Caxias do Sul, RS 95095-107 • Brasil  
tel +55 (0) 54 226 2200 • fax +55 (0) 54 226 1424  
www.bigdutchman.com.br • bigdutchmanbrasil@bigdutchman.com.br