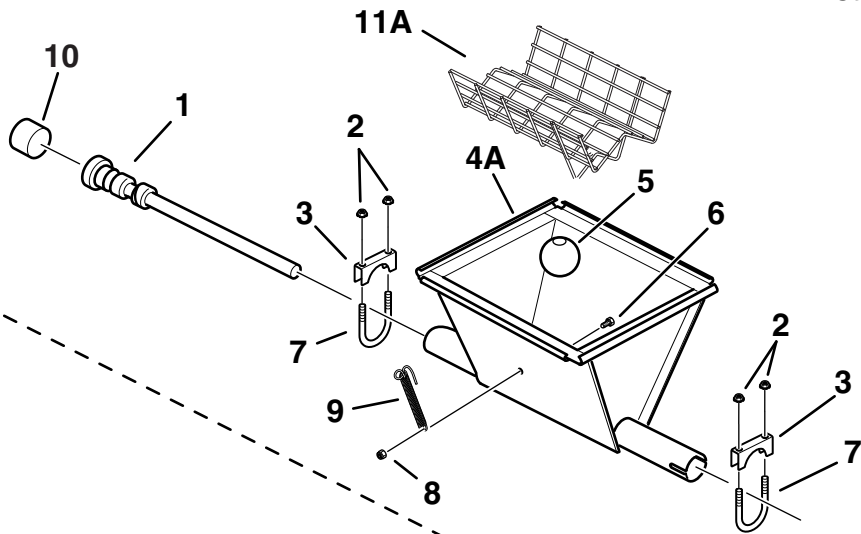


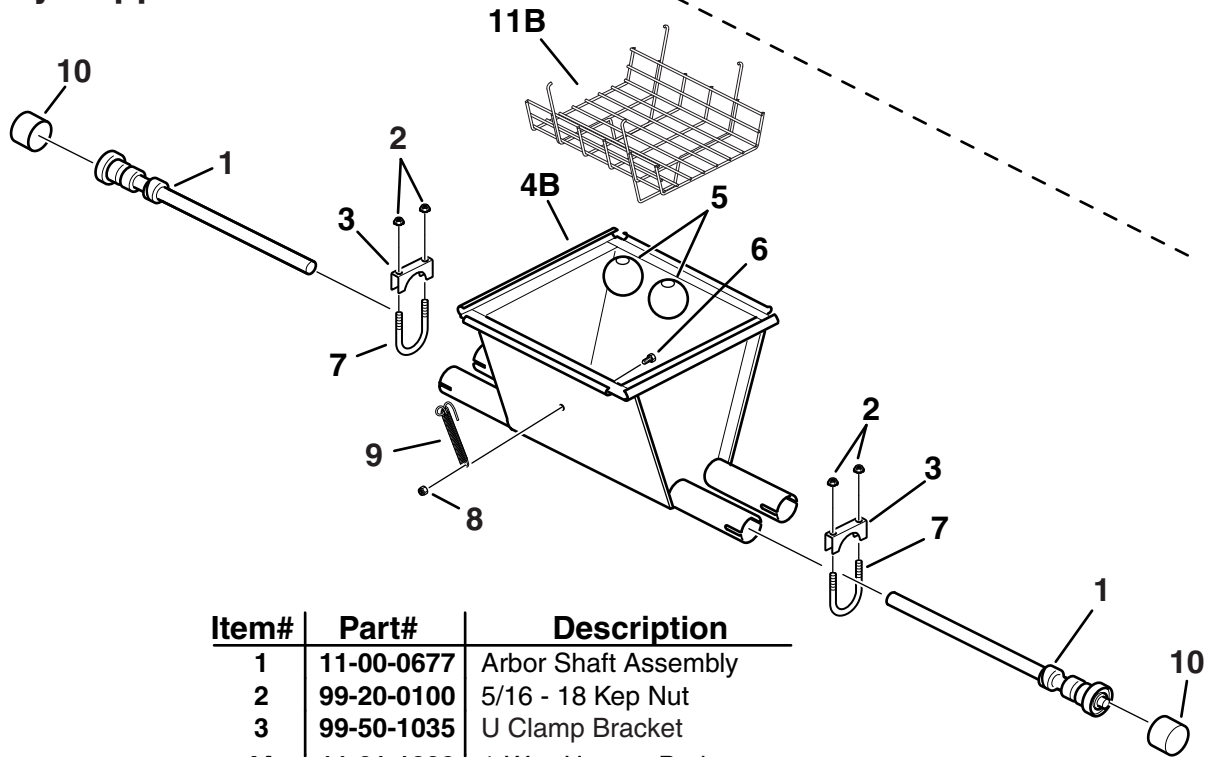
# 1-Way and 2-Way Hoppers Replacement Parts

Inst. No: 11-02-3109

## 1-Way Hopper



## 2-Way Hopper



Item#	Part#	Description
1	11-00-0677	Arbor Shaft Assembly
2	99-20-0100	5/16 - 18 Kev Nut
3	99-50-1035	U Clamp Bracket
4A	11-01-1329	1-Way Hopper Body
4B	11-02-1329	2-Way Hopper Body
5	11-00-1023	Hardwood Ball
6	99-10-0278	5/16 - 18 x 5/8 in. Hex Bolt
7	99-10-1014	5/16 - 18, 2 1/4 in. x 3 in. U Bolt
8	99-20-0176	5/16 - 18 Hex Lock Nut
9	11-00-0189	Spring Assembly
10	11-00-1056	Arbor Shaft Cap
11A	11-02-3103	Shaker Grill, For 1-Line
11B	11-02-3102	Shaker Grill, For 2-Line

hopper grill



**Big Dutchman**